

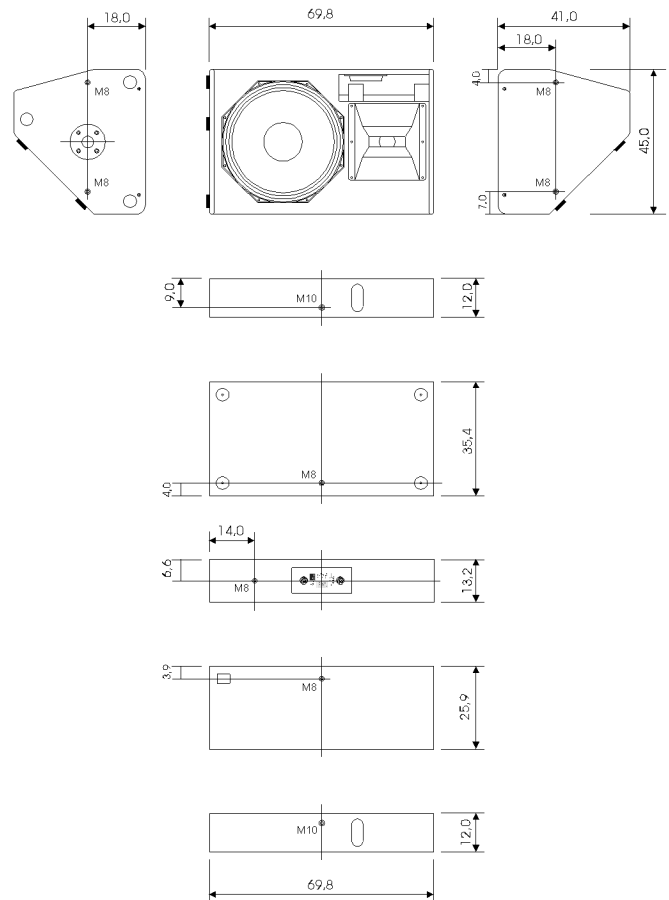
# TSM 15 / High Performance Sound System for Multiple Use

Sophisticated and flexible high-end fullrange and monitor system, can be extended with TSM15 Sub. Ideal compact PA for passive or active operation. Can also be employed as a downfill, nearfill or drumfill system (pivotable horn).

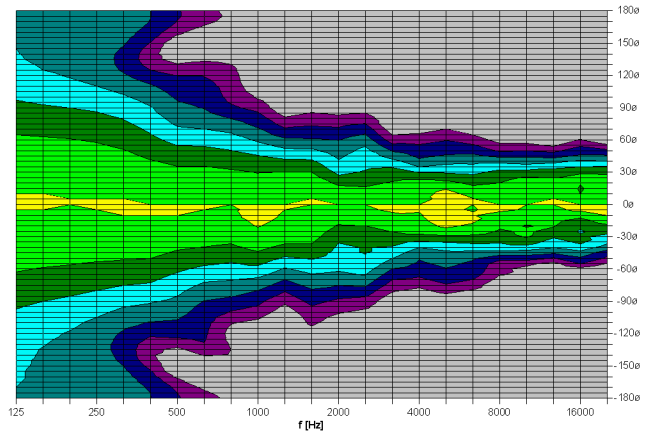


## PRODUCT SPECIFICATIONS

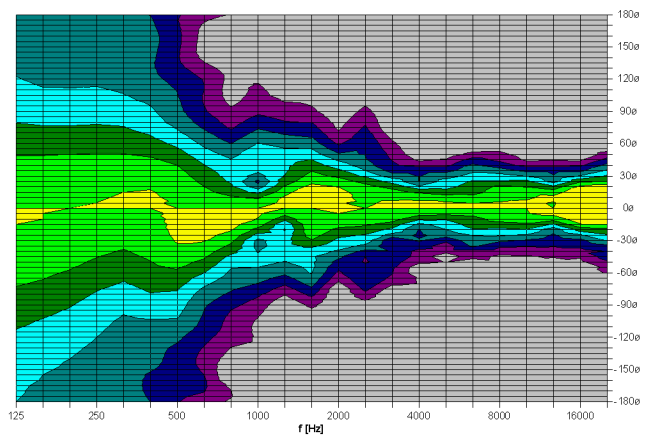
Speaker Components	15" / 2"
Description	Multipurpose Sound System
Powerhandling - AES / Peak	600 Watt / 1800 Watt
Impedance - nominal	8 Ohm
SPL 1m - 1Watt / Peak	98dB / 131dB
Usable Range	50Hz - 18kHz
Tuning Frequency - Excursion min.	52Hz
X - Overpoint - acoustical	1,0kHz
Connectors	2x Neutrik Speakon 4-pol Coding: 1+/- HiMid, 2+/- Sub
Coverage - horizontal / vertical	90° x 60° - rotatable
Handles	2x 2D handle
Rigging - flying points	2 x M10 / 7 x M8
Fittings	35mm pole mount
Weight	31,0kg
Size - height x width x depth	69,8 x 45,0 x 41,0 cm
Art. Nr.	0950



TSM15 horizontal - 2D Directivity Plot



TSM15 vertikal - 2D Directivity Plot

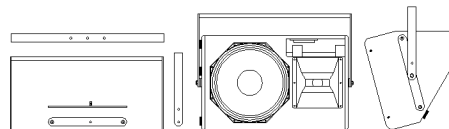


For more information, please visit our Data CD-Rom

## Accessories ( more accessories you can find in our general list of accessories )

### Flying Bracket for TSM15 horizontal assembly incl. screws

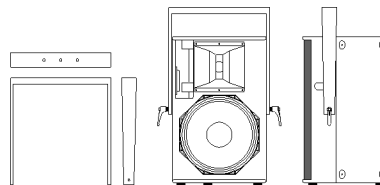
( per unit: 2 pcs. adapters, M10 hex lock nuts,  
flat- and rubber washes,  
- optional feature: 2 pcs. M10 x 20 ergostyle lobe knob )



Order number: 01217H set

### Flying Bracket for TSM15 incl. screws

( per unit: 2 pcs. M10 x 30 adjustable clamping lever - with axial bearing )



Order number: 01217 set

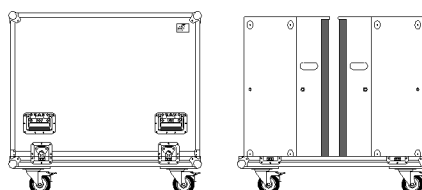
### Cover for TSM15 - padded



Order number: 01240

### Flightcase for 2 pcs. TSM15

Heavy duty, 6.5 mm birch multiplex, PVC coated, ball corners,  
6 pcs recessed sprung handles, 4 pcs. butterfly catches,  
100 mm Blue Wheels, 2 pcs. with brake, interior lined with felt.



Order number: 16012  
More flightcases  
on request