

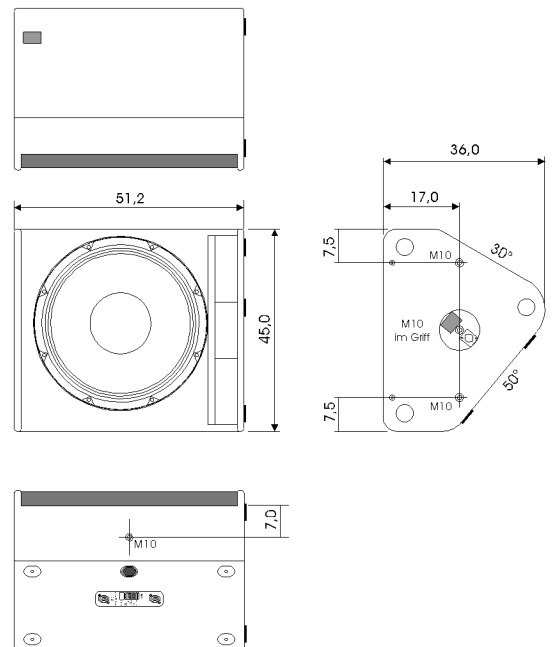
M 5 / Multipurpose Monitor

Ultra-compact 15"/1,4" coaxial system with extremely homogeneous directivity.
It was designed as an efficient and low-profile high-end stage monitor, covering a wide range of applications due to extensive possibilities for flying operation.

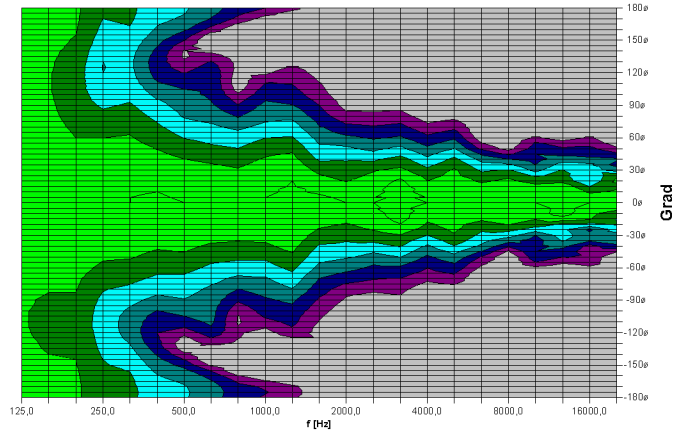


PRODUCT SPECIFICATIONS

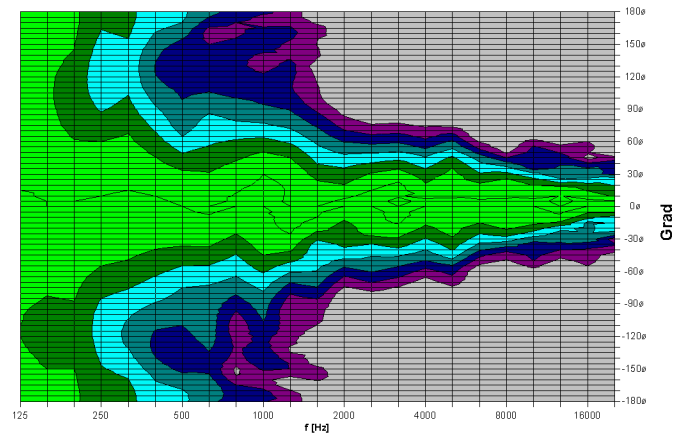
Speaker Components	15" / 1,4" Coaxial
Description	Multipurpose Monitor
Powerhandling - AES / Peak	800 Watt / 2400 Watt
Impedance - nominal	8 Ohm
SPL 1m - 1Watt / Peak	99dB / 130dB
Usable Range	60Hz - 18kHz
Tuning Frequency - Excursion min.	65Hz
X - Overpoint - acoustical	850Hz
Connectors	4x Neutrik Speakon 4-pol Coding: 1+/-connected, 2+/- loop thru
Coverage - horizontal / vertical	80° conical
Handles	2x circular handle
Rigging - flying points	7x M10
Features	adjustable foot
Weight	28,0kg
Size - height x width x depth	51,2 x 45,0 x 36,0 cm
Art. Nr.	01072



M5 horizontal - 2D Directivity Plot



M5 vertical - 2D Directivity Plot

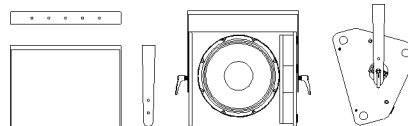


For more information, please visit our Data CD-Rom

Accessories (more accessories you can find in our general list of accessories)

Flying Bracket for M5 incl. screws

(per unit: 1 piece M10 x 60 and M10 x 80 adjustable clamping lever)



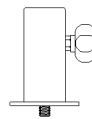
Order number: 01221 set

Lifting eye bold -male - M10 DIN 580



Order number: 73700 (M10)

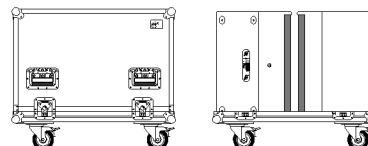
Flange M10 for M5



Order number: 08126

Flightcase for 2 pcs M5

Heavy duty, 6.5 mm birch multiplex, PVC coated, ball corners,
6 pcs recessed sprung handles, 4 pcs butterfly catches,
100 mm Blue Wheels, 2 pcs with brake, interior lined with felt.



Order number: 16014

More flightcases
on request