



Ultra flat stage monitor fitted with light-weight coaxial 15" / 1.4" Neodym drivers and an integrated digital amplifier electronics with a DSP controller featuring four presets to suit various applications. With high power reserves, homogeneous sound distribution and low tendency to feedback, the M 3 is a tool that will greatly simplify a sound engineer's job. Combined with the optional flying bracket, the system can also be used both as a down-fill and as a universal sound system.

PRODUCT SPECIFICATIONS

Speaker Components	15" Nd / 1.4" Nd Coaxial
Description	Low Profile Monitor
Power	2 x 1000 W EIAJ / 195-250 VAC
Impedance	10 kΩ
DSP	32 bit RISC
Max Line Input	+21 dBu
Presets	Flat / Floor / Low / Soft
Latency	1.54 ms (analog in to analog out)
Signal/Noise Ratio	115 dB
SPL max	136 dB LC Peak - 3 dB
Usable Range	65 Hz - 19 kHz
Tuning Frequency	excursion minimum 70 Hz
X - Overpoint	acoustical 1 kHz
Coverage	horizontal / vertical 60° - conical
Connectors	Neutrik XLR in/out Neutrik PowerCon in/out
Handles	2 x
Rigging / Fittings	2 x M10
Weight	19 kg
Size	height x width x depth 30,9 x 45,0 x 54,0 cm
Order No.	01067/dp



The attractively formed handle cutouts guarantee comfortable handling.



The connectors are well protected in the bass reflex tunnel.



Robust honeycomb grille, backed by acoustic foam to protect the loudspeaker.

The M 3 dp features integrated digital amplifier electronics with a DSP controller. Various factory-configured presets and volume settings can be selected.

High-grade electronic components from the industrial sector and a first-class circuit design ensure excellent audio quality

with low distortion and a minimal noise floor.

Highly efficient and "intelligent" limiter systems ensure optimum protection against overload, without restricting the possibilities offered by this high-performance sound system.

Level

Adjustment in 3 dB steps (-6 dB to +3 dB).

Mute LED

Red light when the system is muted or under technically crucial conditions.

Limit LED

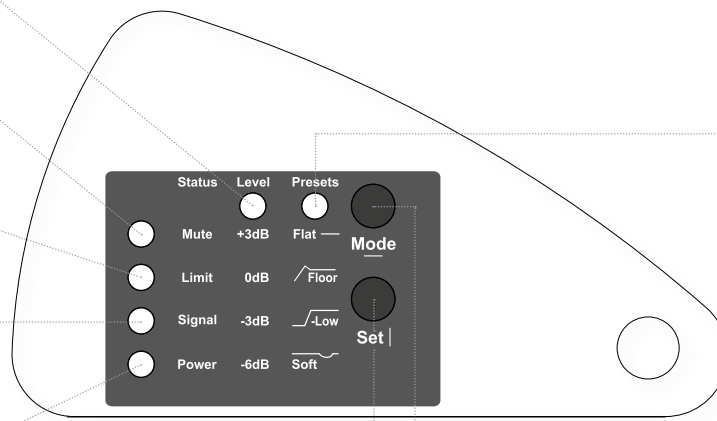
Yellow light when the limiter is restricting the level.

Signal LED

Green light when the input signal exceeds -20 dBu.

Power LED

Green light when the system is switched on.



Set - key

Setting of various values and Mute on / off.

Mode - key

Changing to control modes: Status, Level and Presets.

Presets

Flat

This setting provides a linear frequency response with a neutral sound characteristics. Standard setting for many applications.

Floor

Low-mid correction to compensate for coupling effects with a floor surface.

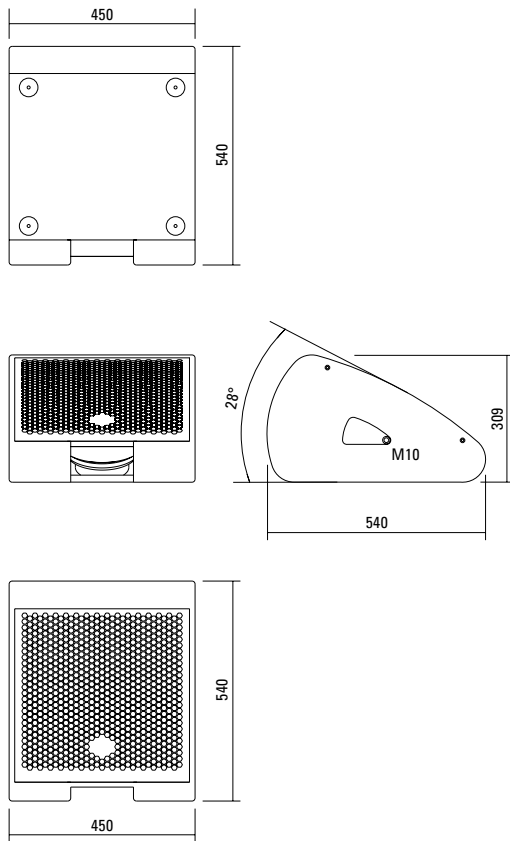
Low

Reduction in the low-mid range to compensate for coupling effects between two monitors.

Soft

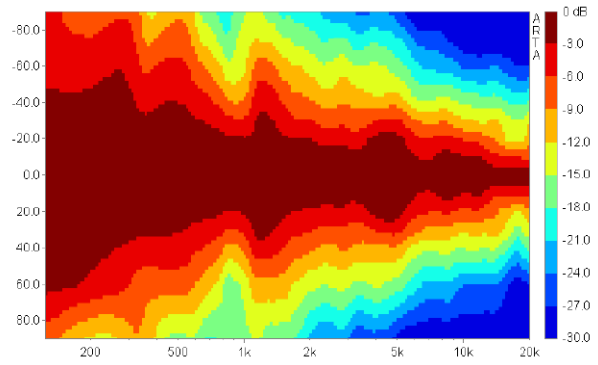
Reduces the level in the frequency range from 2.5 - 5 kHz, to which the ear is particularly sensitive. This setting is recommended for high level reproduction of highly compressed music tracks.

DIMENSIONS

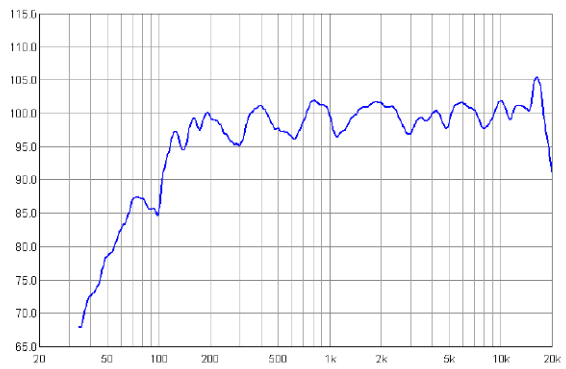


MEASUREMENTS

2D Directivity Plot - horizontal



Frequency Response



APPLICATIONS



ACCESSORIES M 3 dp

Flying Bracket



for M 3
incl. screws
(per unit: 2 pcs. M10 x 60 adjustable
handle screws)
Order No. **01218**

Handle Screw



for flying brackets, adjustable
M10 x 60
Order No. **08375/60**

Flange



for flying brackets,
35 mm Ø → M10,
Order No. **08126**

Doughty Trigger Clamp



for flying brackets,
SWL 200 kg
Order No. **01222**

Steel Safety Cable



4 mm - 50 cm
Order No. **01376**

Chain Fastener



VBS 7 mm
Order No. **01378**

Ring Screw



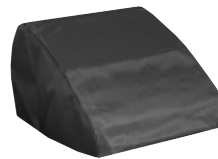
M10— DIN 580,
black zincd
Order No. **73700**

TV Spigot



10 mm internal thread,
28 mm Ø
Order No. **08128**

Rain Cover



for M 3
Order No. **01229/M3/outdoor**

Flight Case



für 2 pcs. M 3
heavy duty, 6,5 mm birch multiplex,
PVC coated, 6 pcs recessed sprung
handles, 100 mm blue wheels, 2 pcs.
with brake, interior lined with felt.
Order No. **16018/pro**

Hybrid Cable System



PowerCon-PowerCon / XLR-XLR
2,5 m Order No. **08462**
5 m Order No. **08464**
10 m Order No. **08466**
15 m Order No. **08468**