

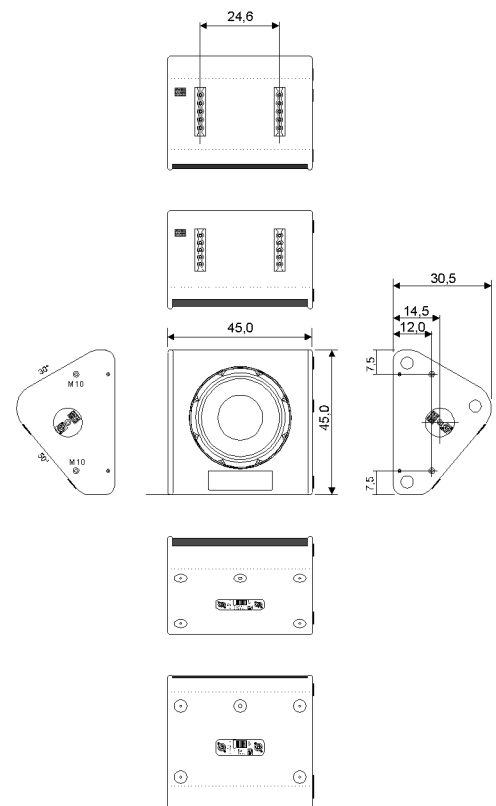
M 2 / Multipurpose Monitor

The M2 achieves optimised voice penetration and detail precision thanks to 12" / 1.4" coaxial system. It was designed as an efficient, low-profile high-end stage monitor, covering a wide range of applications thanks to extensive possibilities for flying operation.

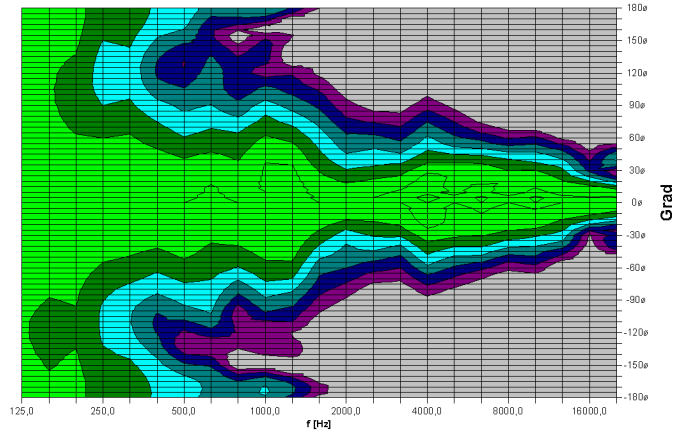


PRODUCT SPECIFICATIONS

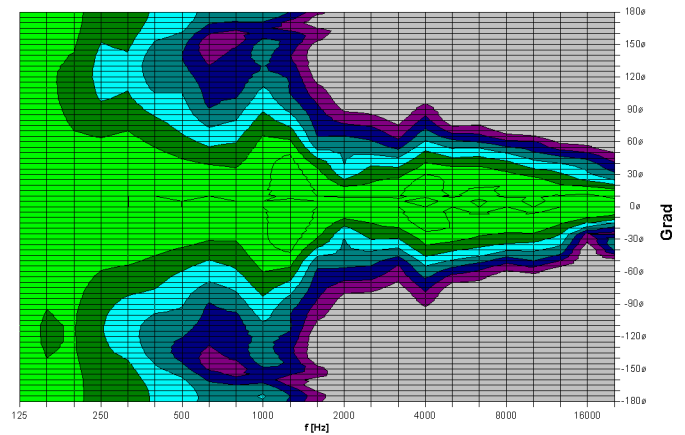
Speaker Components	12" / 1,4" Coaxial
Description	Multipurpose Monitor
Powerhandling - AES / Peak	450 Watt / 1400 Watt
Impedance - nominal	8 Ohm
SPL 1m - 1Watt / Peak	98dB / 128dB
Usable Range	60Hz - 22kHz
Tuning Frequency - Excursion min.	65Hz
X - Overpoint - acoustical	850Hz
Connectors	4x Neutrik Speakon 4-pol Coding: 1+/-connected, 2+/- loop thru
Coverage - horizontal / vertical	80° conical
Handles	2x circular handle
Rigging - flying points	6x M10 2x 150mm Flying Tracks
Weight	22,0kg
Size - height x width x depth	45,0 x 45,0 x 30,5 cm
Art. Nr.	01069



M2 horizontal - 2D Directivity Plot



M2 vertikal - 2D Directivity Plot

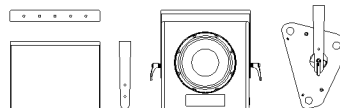


For more information, please visit our Data CD-Rom

Accessories (more accessories you can find in our general list of accessories)

Flying Bracket for M2 incl. screws

(per unit: 2 pcs. M10 x 60 adjustable clamping lever)



Order number: 01219 set

Stud for flying track 8109/8110



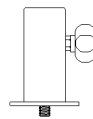
Order number: 08111

Lifting eye bold - male - M10 DIN 580



Order number: 73700 (M10)

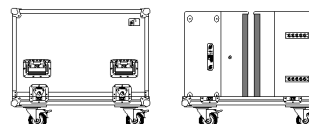
Flange M10 for M2



Order number: 08126

Flightcase for 2 pcs. M2

Heavy duty, 6.5 mm birch multipler, PVC coated, ball corners, 6 pcs. recessed sprung handles, 4 pcs. butterfly catches, 100 mm Blue Wheels, 2 pcs. with brake, interior lined with felt.



Order number: 16016

More flightcases
on request