



Ultra flat stage monitor fitted with lightweight coaxial 12" /1.4" Neodymium drivers. With high power reserves, homogeneous sound distribution and low tendency to feedback, the M 3 is a tool that will greatly simplify a sound engineer's job. Combined with the optional flying bracket, the system can also be used both as a downfill and as a univesal sound system.

PRODUCT SPECIFICATIONS

Speaker Components	12" Nd / 1,4" Nd Coaxial
Description	Low Profile Monitor
Power AES / Peak	500 W / 1500 W
Impedance nominal	8 Ω
SPL 1 W / Peak @ 1m	98 dB / 133 dB
Usable Range - 6 dB	80 Hz - 19 kHz
Tuning Frequency excursion minimum	90 Hz
X - Overpoint acoustical	1,2 kHz
Coverage horizontal / vertical	60° - conical
Max. Splay Angle	- - -
Connectors	2 x Neutrik Speakon NL4MP in/out Coding: 1 +/- HiMid, 2 +/- loop thru
Handles	2 x
Rigging / Fittings	2 x M10
Weight	16,0 kg
Size height x width x depth	27,4 x 40,0 x 47,0 cm
Order No.	01068



The attractively formed handle cutouts guarantee comfortable handling.

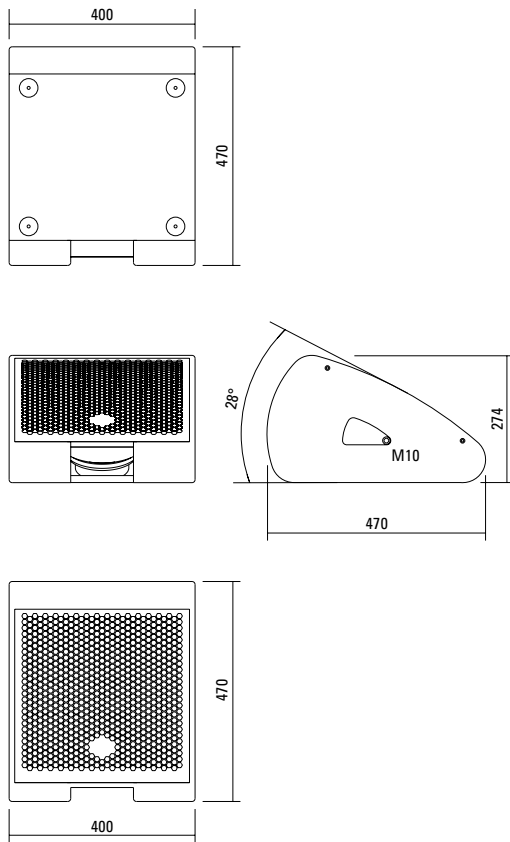


Robust honeycomb grille, backed by acoustic foam to protect the loudspeaker.



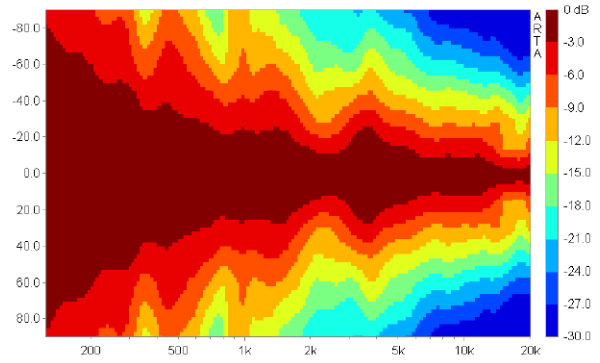
Flying bracket application.

DIMENSIONS

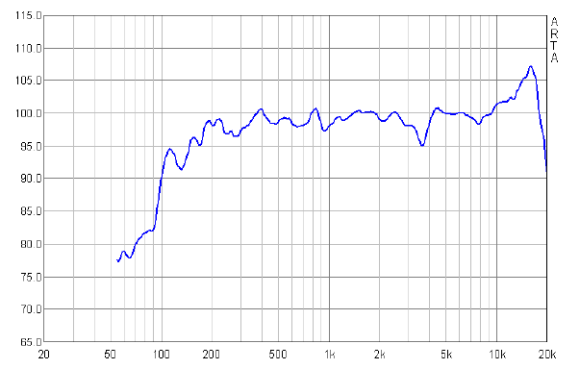


MEASUREMENTS

2D Directivity Plot - horizontal



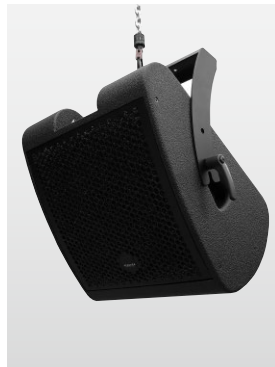
Frequency Response



Controller Setups finden Sie unter:

<http://www.seeburg.net/downloads.php>

APPLICATIONS



ACCESSORIES M 1

Flying Bracket



for M 1
incl. screws
(per unit: 2 pcs. M10 x 60 adjustable
handle screws)
Order No. **01202**

Handle Screw



for flying brackets, adjustable
M10 x 60
Order No. **08375/60**

Flange



for flying brackets,
35 mm Ø → M10,
Order No. **08126**

Doughty Trigger Clamp



for flying brackets,
SWL 200 kg
Order No. **01222**

Steel Safety Cable



4 mm - 50 cm
Order No. **01376**

Chain Fastener



VBS 7 mm
Order No. **01378**

Ring Screw



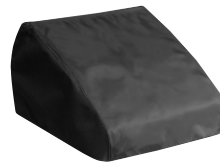
M10– DIN 580,
black zinced
Order No. **73700**

TV Spigot



10 mm internal thread,
28 mm Ø
Order No. **08128**

Rain Cover



for M 1
Order No. **01228/outdoor**

Flight Case



für 2 pcs. M 1
heavy duty, 6,5 mm birch multiplex,
PVC coated, 6 pcs recessed sprung
handles, 100 mm blue wheels, 2 pcs.
with brake, interior lined with felt.
Order No. **16015/pro**