

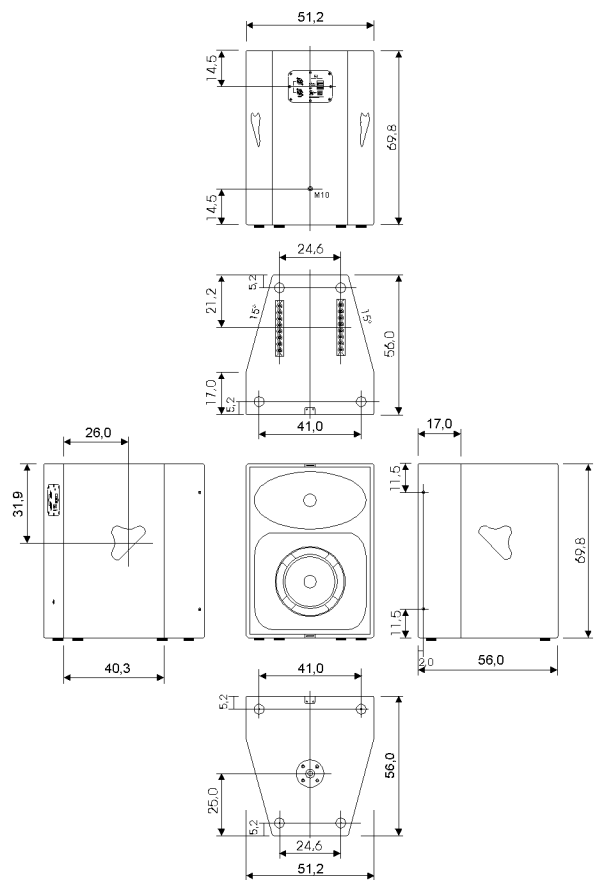
K2 / Hornloaded HiMid System

Hornloaded system with 12"/2" speaker and 60° x 40° coverage angle.
Ideal complement to the B1801 subwoofers.
225 mm flying tracks and M10 mounting point facilitate trouble-free flying operation.

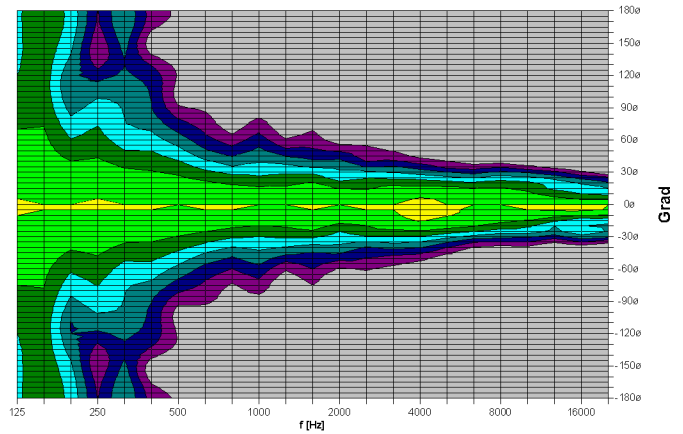


PRODUCT SPECIFICATIONS

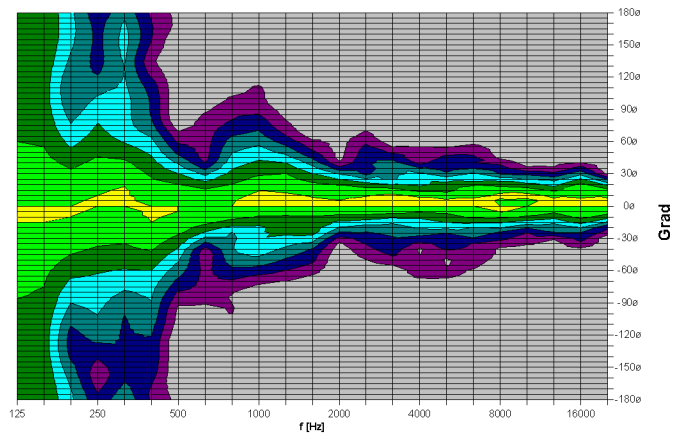
Speaker Components	12" (Nd) / 2"
Description	Hornloaded HiMid System
Powerhandling - AES / Peak	600 Watt / 1800 Watt
Impedance - nominal	8 Ohm
SPL 1m - 1Watt / Peak	109dB / 140dB
Usable Range	135Hz - 17kHz
X - Overpoint - acoustical	650Hz
Connectors	2x Neutrik Speakon 4-pol
	Coding: 1+/- HiMid, 2+/- Sub
Coverage - horizontal / vertical	60° x 40°
Handles	2x 3D handle
Rigging - flying points	2x 225mm Flying Tracks
	1x M10
Fittings	M20 in the bottom
	wheelboard fittings
Weight	43,0kg
Size - height x width x depth	69,8 x 51,2 x 56,0 cm
Art. Nr.	1025



K2 horizontal - 2D Directivity Plot



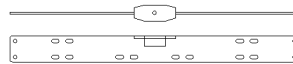
K2 vertical - 2D Directivity Plot



For more information, please visit our Data CD-Rom

Accessories (more accessories you can find in our general list of accessories)

Flybar for K2 - „Master“



Order number: 01360

Flybar for K2 - „Slave“



Order number: 01362

Connection bar for K2
(mounting at the back)



Order number: 01370

Steel rope 8 mm - 76,5 cm



Order number: 01374

Stud for flying track 8109/8110



Order number: 08111

Shackle heavy duty with safety device,
WLL 750 kg



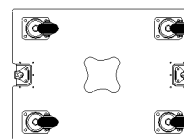
Order number: 01372

Lifting eye bold - male - M10 / DIN 580



Order number: 73700 (M10)

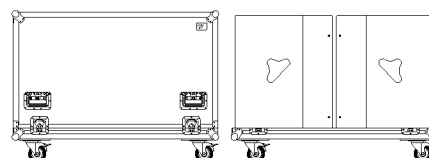
Wheelboard / Frontcover for K2



Order number: 01260

Flightcase for 2 pcs. K2

Heavy duty, 6.5 mm birch multiplex, PVC coated, ball corners,
6 pcs. recessed sprung handles, 4 pcs. butterfly catches,
100 mm Blue Wheels, 2 pcs. with brake, interior lined with felt.



Order number: 16034

More flightcases
on request