

K25 / High Power Fullrange System

Fullrange PA system with 2x15" / 1.4" speakers as an interesting alternative to classic hi-mid/subwoofer combinations.

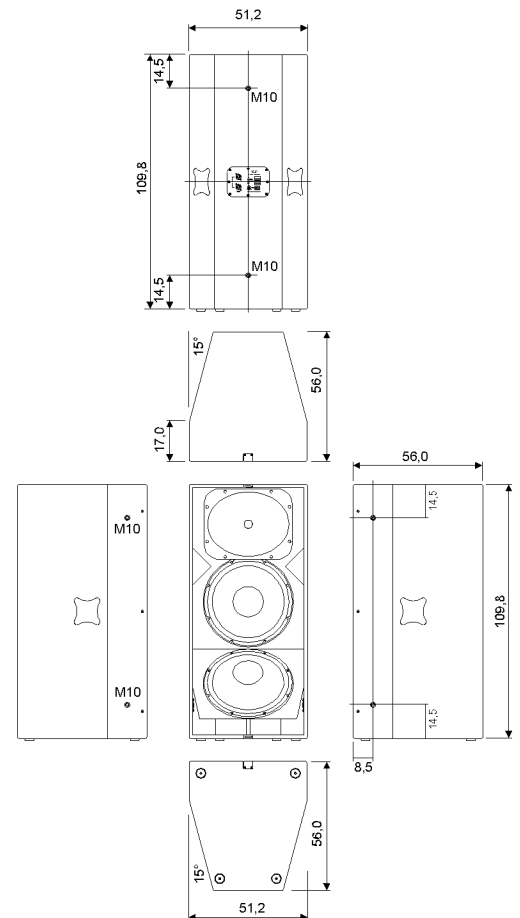
High-precision bass response thanks to double-chamber hybrid construction comprising bass reflex and band pass.

The favourable bundling characteristics of the midrange driver ensure long throw and high sound precision normally only achievable using larger horn systems.



PRODUCT SPECIFICATIONS

Speaker Components	2x 15" Nd / 1.4" Nd
Description	High Power Fullrange System
Powerhandling - AES / Peak	1100 Watt / 3300 Watt
Impedance - nominal	4 Ohm
SPL 1m - 1Watt / Peak	99dB / 132dB
Usable Range	42Hz - 18kHz
X - Overpoint - acoustical	800 Hz
Tuning Frequency - Excursion min.	44 Hz
Connectors	2x Neutrik Speakon 4-pol Coding: 1+/- HiMid, 2+/- Sub
Coverage - horizontal / vertical	60° x 50°
Handles	2x 4D handle
Rigging - flying points	6x M10
Fittings	wheelboard fittings
Weight	50 kg
Size - height x width x depth	109,8 x 51,2 x 56,0 cm
Art. Nr.	01028

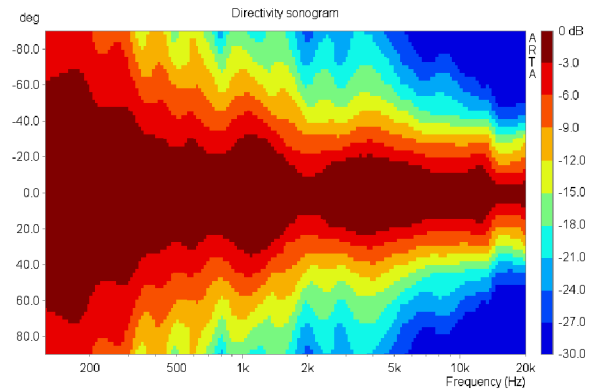


K25 / High Power Fullrange System

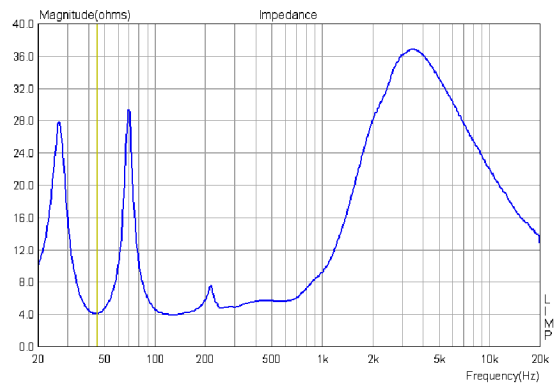


Double-chamber hybrid construction comprising bass reflex and band pass

K25 60° x 50° horizontal - 2D Directivity Plot



K25 Impedance behavior with crossover



Accessories (more accessories you can find in our general list of accessories)

Wheelboard / Frontcover for K25



Order number: 00000

Lifting eye bold - male - M10 DIN 580



Order number: 07370 (M10)

Flightcases on request