

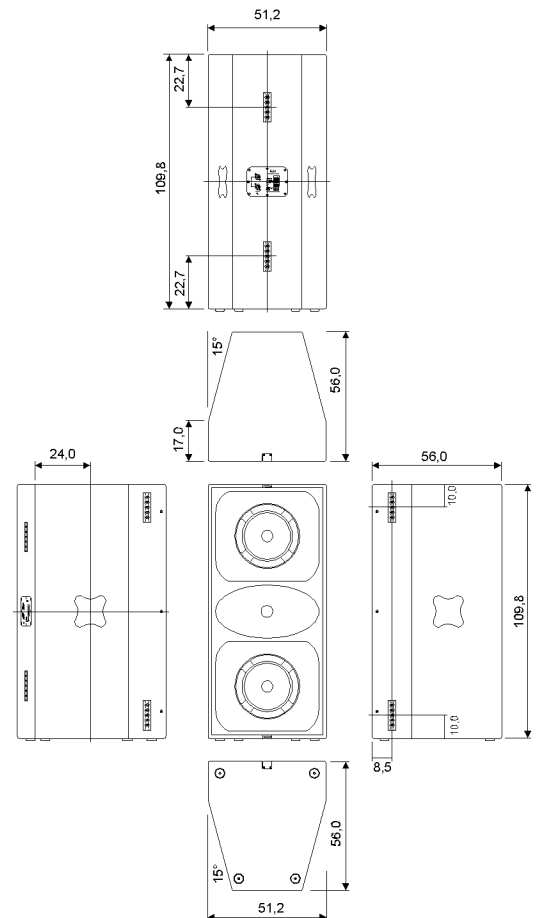
## K22 / Hornloaded HiMid System

High-performance hornloaded system with 2x 12"/1.4" classic speakers and 60°x 40° directivity. Particularly suitable for sound applications requiring high music output, low distortion and controlled directivity. Trouble-free flying operation thanks to 4 side-mounted flying tracks with end-to-end metal connector. Within the bass range the K22 can be combined with TSE Sub, B1801, B1502 or TSE infra. Also available with built-in x-over.

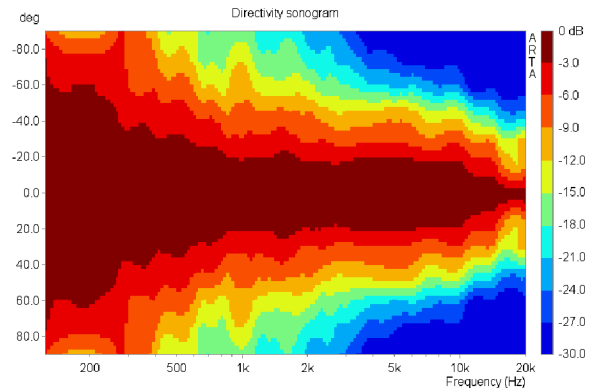


### PRODUCT SPECIFICATIONS

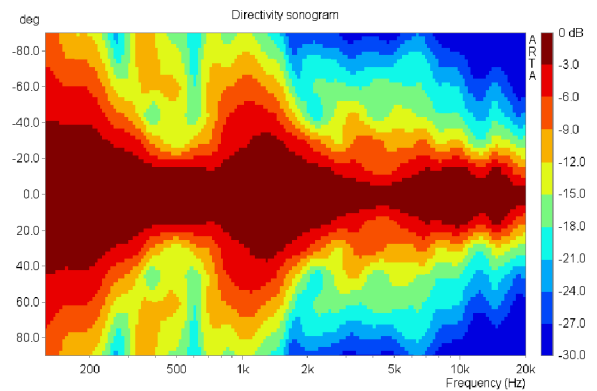
Speaker Components	2x 12" Neodym / 1.4" Neodym
Description	Hornloaded HiMid System
Powerhandling - AES / Peak	LF: 800 Watt / 2400 Watt HF: 80 Watt / 400 Watt
Impedance - nominal	LF: 4 Ohm / HF: 8 Ohm
SPL 1m - 1Watt / Peak	LF: 111dB / 141dB HF: 110dB / 138dB
Usable Range	130Hz - 18kHz
Connectors	2x Neutrik Speakon 4-pol Coding: 1+/- HF, 2+/- LF
Coverage - horizontal / vertical	60° x 40°
Handles	2x 4D handle
Rigging - flying points	6x 150 mm Flying Tracks optional M10 / M12 Flying points
Fittings	wheelboard fittings
Weight	58,0kg
Size - height x width x depth	109,8 x 51,2 x 56,0 cm
Finish	Polyurea coating
Art. Nr.	01027/ a
Art. Nr.	01027/ xov



**K22 60° x 40° horizontal - 2D Directivity Plot**



**K22 60° x 40° vertical - 2D Directivity Plot**



## Accessories ( more accessories you can find in our general list of accessories )

**Wheelboard / Front cover for K22**



Order number: 00000

**Lifting eye bold - male - M10 DIN 580**



Order number: 07370 (M10)

**Stud for flying track 8109/8110**



Order number: 08111

**Stud with spring**



Order number: 08112