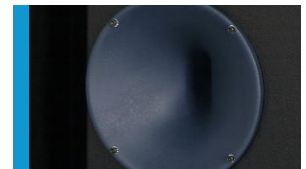




Multifunktionales 15" / 1" System mit sehr breitbandigem Frequenzumfang und ausgewogener Klangcharakteristik. Ähnliche Eigenschaften wie die A 6, jedoch mit tieferreichender Basswiedergabe, machen die A 8 zu einem universellem Fullrangewerkzeug. Diverse M8 und M10 Aufnahmepunkte sorgen für die einfache Montage des Zubehörs. Auch als Festinstallationsvariante lieferbar.

PRODUCT SPECIFICATIONS

Speaker Components	15" Nd / 1" Nd
Description	Multi Purpose Sound System
Power AES / Peak	400 W / 1200 W
Impedance nominal	8 Ω
SPL 1 W / Peak @ 1 m	99 dB / 128 dB
Usable Range - 6 dB	45 Hz - 20 kHz
Tuning Frequency Excursion minimum	54 Hz
X - Overpoint acoustical	1,3 kHz
Coverage horizontal / vertical	90° x 60° - rotatable
Max. Splay Angle	- - -
Connectors	2 x Neutrik Speakon NL4MP in/out Coding: 1 +/- HiMid, 2 +/- loop thru
Handles	2 x
Rigging / Fittings	2 x M10 / 7 x M8 35 mm pole mount
Weight	23,0 kg
Size height x width x depth	69,8 x 45,0 x 42,5 cm
Order No.	00270 00270/AF (installation version)



Die Cellulose Membrane des 1" Treibers sorgt für eine seidenweiche Hochtönerwiedergabe.

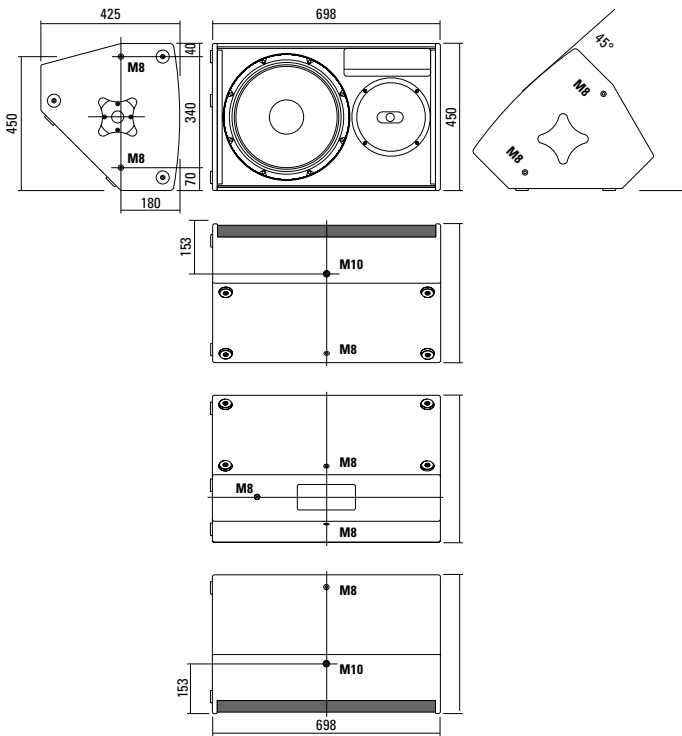


Die 35 mm Flanschhülse wurde in den Griff integriert.

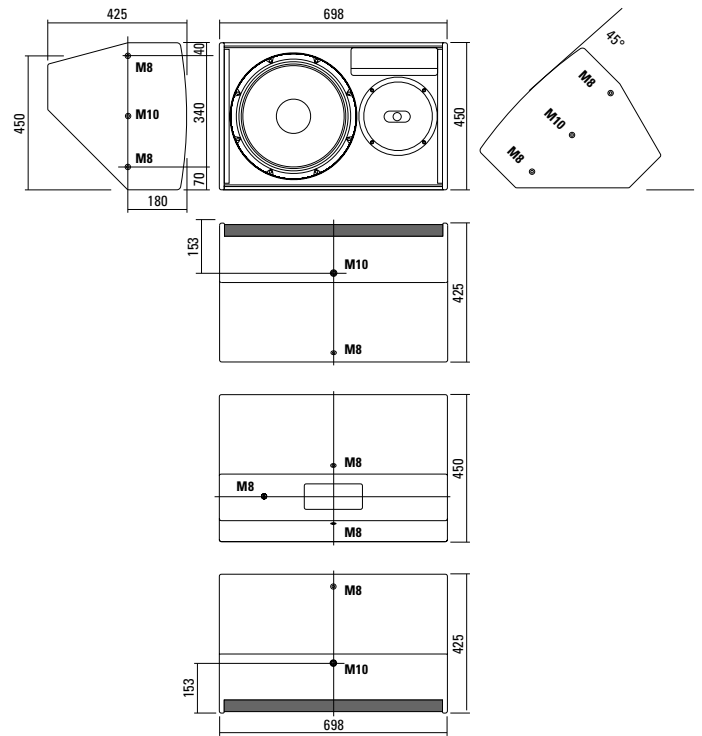


Neodym 15" Lautsprecher mit wasserabweisender Membranbeschichtung.

DIMENSIONS



Installation Version AF 8

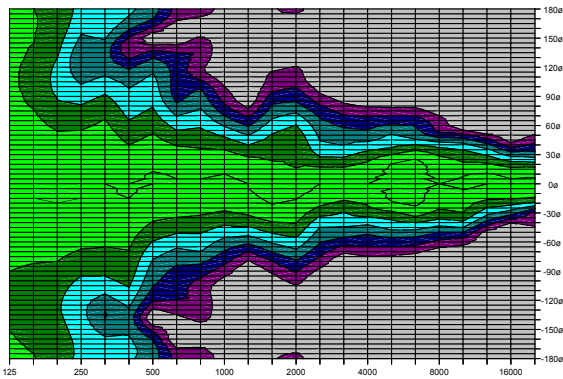


Controller Setups finden Sie unter:

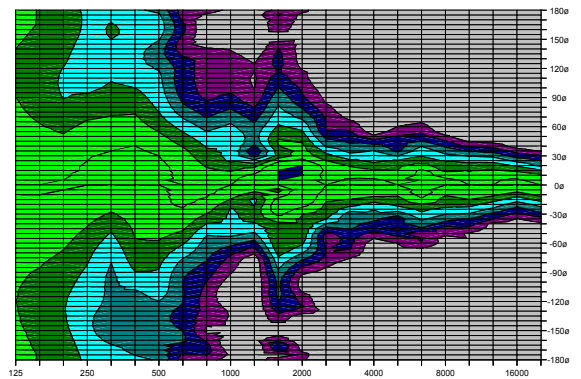
<http://www.seeburg.net/Controller-Setups>

COVERAGE PATTERNS

2D Directivity Plot - 90°x 60°horizontal



2D Directivity Plot - 90°x 60°vertical

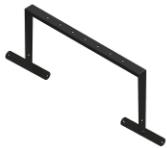


Flying Bracket



for A 8 / TSM 15 / F 8
incl. screws
(per unit: 2 pcs. M10 x 30 adjustable
handle screws with axial bearing)
Order No. **01217/set**

Flying Bracket



for A 8 / TSM 15 / F 8
horizontal alignment, incl. screws
(per unit: 2 pcs. adapters, M10 hex
lock nuts, flat- and rubber washers)
Order No. **01217/H/set**

Handle Screw



for flying brackets,
axial bearing
M10 x 30
Order No. **08374**

Ergostyle Lobe Knob



for flying brackets,
M10 x20, with grip, adjustable
Order No. **08171**

Flange



for flying brackets,
35 mm Ø → M10,
Order No. **08126**

Rubber Washer



for flying brackets,
40 mm
Order No. **01205**

Doughty Trigger Clamp



for flying brackets,
SWL 200 kg
Order No. **01222**

Steel Safety Cable



4 mm - 50 cm
Order No. **01376**

Chain Fastener



VBS 7 mm
Order No. **01378**

Ring Screw



M10– DIN 580,
black zinced
Order No. **73700**

TV Spigot



10 mm internal thread,
28 mm Ø
Order No. **08128**

ACCESSORIES A 8

Wall Mount



for U-brackets, 40 kg max., incl. screws (M10 x 70 mm socket head screw, M10 hex lock nut and flat washer)

for 15" speakers

Order No. **08130/F400**

Wall Mount



with tilt unit, 40 kg max.

Order No. **08130**

Speaker Stand



Incl. wind up, 50 kg max., height 129 to 204 cm, K&M

Order No. **03011**

50 kg max., K&M

Order No. **03010**

Cover



for A 8 / TSM 15, padded

Order No. **01240**

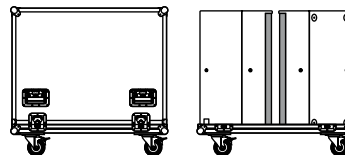
Rain Cover



for A 8 / TSM 15

Order No. **01240/outdoor**

Flight Case



for 2 pcs. A 8 / A 8 Sub / TSM 15, heavy duty, 9,0 mm birch multiplex, PVC coated, ball corners, 6 pcs recessed sprung handles, 4 pcs. butterfly catches, 100 mm blue wheels, 2 pcs. with brake, interior lined with felt.

Order No. **16012/pro**