



An unobtrusive and elegant Hi - Mid system for permanent installations and corporate applications. The classic 2 x 6.5" / 1" combination provides for clear and transparent speech reproduction and a good throw. Four M10 mounting points (and a fifth as an optional alternative to the speaker stand socket) in combination with the comprehensive accessory range allow simple vertical or horizontal mounting. The A 2 is also available in the TR-version with 100 V transformer.

PRODUCT SPECIFICATIONS

Speaker Components	2 x 6,5" / 1"
Description	HighMid Sound System
Power AES / Peak	150 W / 450 W
Impedance nominal	16 Ω (4 Ω optional)
SPL 1 W / Peak @ 1 m	93 dB / 118 dB
Usable Range - 6 dB	90 Hz - 19 kHz
Tuning Frequency excursion minimum	75 Hz
X - Overpoint acoustical	2,5 kHz
Coverage horizontal / vertical	90° x 60° - rotatable
Max. Splay Angle	---
Connectors	2 x Neutrik Speakon NL4MP in/out Coding: 1 +/- HiMid, 2 +/- loop thru
Handles	1 x
Rigging / Fittings	4 x M10 35 mm pole mount
Weight	10,0 kg
Size height x width x depth	51,0 x 21,0 x 21,0 cm
Order No.	00230/16 00230/16/TR (with 100 V transformer)



Powerful 1" driver for accurate high frequency reproduction.

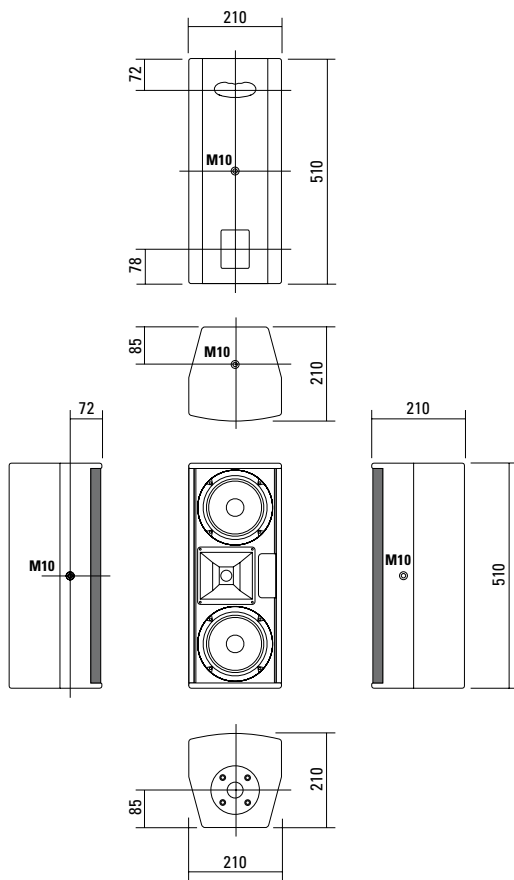


Ergonomically formed handle slot on the rear side for comfortable transport.



A total of four M10 flying points can be utilised for mounting the extensive accessories.

DIMENSIONS

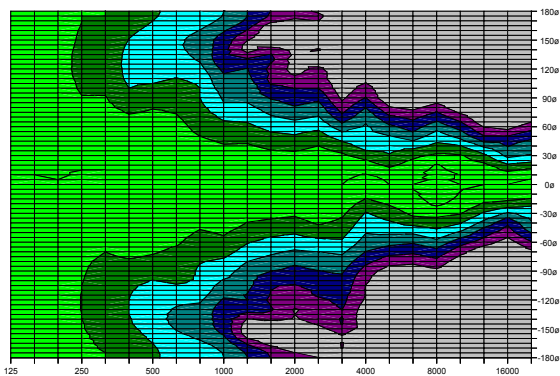


Controller Setups are available on our website:

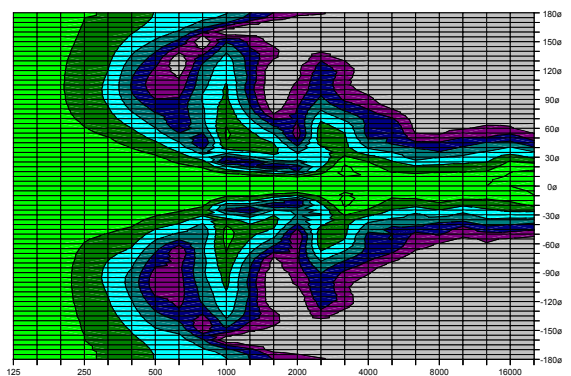
<http://www.seeburg.net/Controller-Setups>

COVERAGE PATTERNS

2D Directivity Plot - 90° x 60° - horizontal



2D Directivity Plot - 90° x 60° - vertical



Flying Bracket



for A 2
horizontal alignment, incl. screws
(per unit: 2 pcs. M10 x 20 socket head
screws, spring- and rubber washers,
one piece of 110 mm flange with
M10 nut)

Order No. **01214/H/set**

Flying Bracket



for A 2
incl. screws
(per unit: 2 pcs. M10 x 20 ergostyle
lobe knob and rubber washers)

Order No. **01214/set**

Ergostyle Lobe Knob



for flying brackets, M10 x20,
with grip, adjustable

Order No. **08171**

Plate



for A 2 / A 3 flying brackets,
horizontal alignment,
replacement for pole mount flange,
110 mm Ø flange with M10 nut

Order No. **08119/M10**

Flange



for flying brackets,
35 mm Ø → M10,

Order No. **08126**

Rubber Washer



for flying brackets,
40 mm

Order No. **01205**

Doughty Trigger Clamp



for flying bracket,
SWL 200 kg

Order No. **01222**

Steel Savety Cable

4 mm - 50 cm

Order No. **01376**



Chain Fastener



VBS 7 mm

Order No. **01378**

Ring Screw



M10- DIN 580,
black zined

Order No. **73700**

TV Spigot



10 mm internal thread,
28 mm Ø

Order No. **08128**

ACCESSORIES A 2

Wall Mount



for U-brackets, 40 kg max., incl. screws
(M10 x 70 mm socket head screw,
M10 hex lock nut and flat washer)

for 8"-12" speakers

Order No. **08130/F/269**

Wall Mount



with tilt unit, 40 kg max.

Order No. **08130**

Wall Mount



M10, 15 kg max.

Order No. **08131**

Order No. **08131/ws** (white)

Wall Mount



for one single A 2 / A 3 / L-Series /
GL 16 / GL 24

Order No. **03034**

Spacer



for Wall Mount (03034)
polyurea coated

Order No. **03034/spc**

Speaker Stand



Incl. wind up, 50 kg max.,
height 129 to 204 cm, K&M

Order No. **03011**

50 kg max., K&M

Order No. **03010**

Bag



for A 2, padded

Order No. **01243**

