



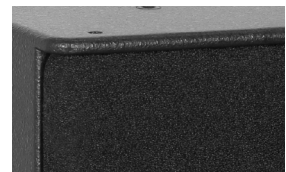
The SRX 810 is a coaxial sound system for universal applications such as those requiring delay and surround sound. Its homogeneous and symmetrical dispersion is achieved by the combination of a coaxial 8"/1" driver and a passive crossover with compensation of level and phase.

PRODUCT SPECIFICATIONS

Speaker Components	8" / 1" Coaxial
Description	Coaxial Sound System
Power AES / Peak	200 W / 600 W
Impedance nominal	8 Ω
SPL 1 W / Peak @ 1 m	96 dB / 122 dB
Usable Range	100 Hz - 18 kHz
Tuning Frequency excursion minimum	85 Hz
X - Overpoint acoustical	2,0 kHz
Connectors	2 x Speakon 4-pol Coding: 1+/- HiMid, 2+/- Sub
Coverage horizontal / vertical	90° x 90°
Rigging flying points	6 x M10 2 x M8
Weight	9,0 kg
Size height x width x depth	37,9 x 25,0 x 22,8 cm
Order No.	00103

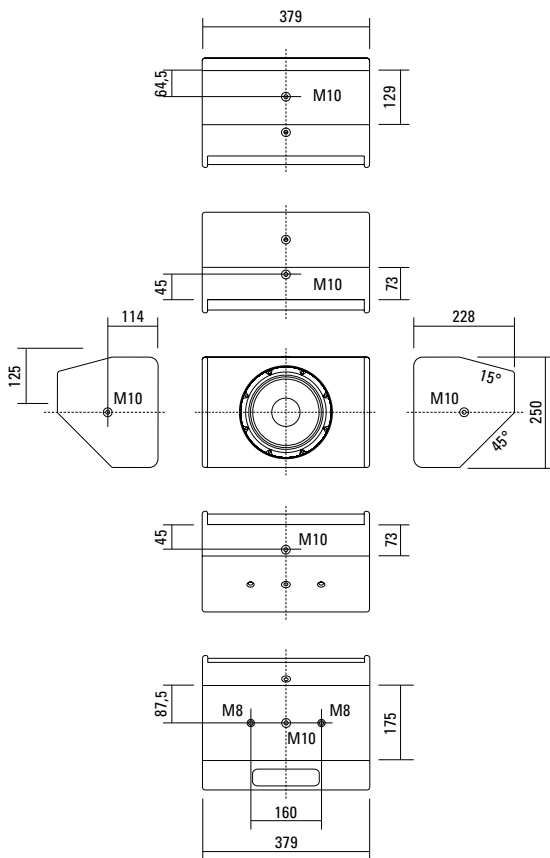


Good acoustic characteristics thanks to the 8"/1" coaxial loudspeaker combination.



Optimum dust protection thanks to fine-pored acoustic foam and stable speaker grille.

DIMENSIONS

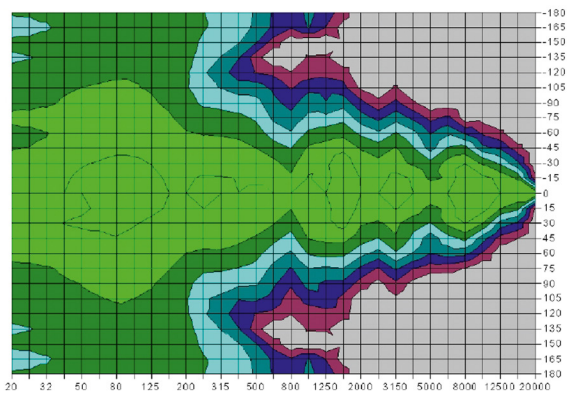


Controller Setups:

<https://www.seeburg.com/en/downloads>

COVERAGE PATTERNS

2D Directivity Plot - vertical and horizontal



ACCESSORIES SRX 810

Flying Bracket



for SRX 810 / TSMini / TSM 8
incl. screws
(per unit: 2 pcs. M10 x 20 handle
screws and rubber washers)
Order No. **01213/set**

Flying Bracket



for SRX 810 / TSM 8
horizontal alignment,
incl. screws
(per unit: 2 pcs. M10 x 20 socket head
screws, spring- and rubber washers)
Order No. **01213/H/set**

Handle Screw



for flying brackets,
adjustable
Order No. **08375/20** (M10 x 20)

Rubber Washer



for flying brackets,
5 mm x 40 mm Ø
Order No. **01206**

Knurled Head Nut



reduction screw for fastening
M10 Pole Mount Adapter (08126)
Order No. **73755**

Pole Mount Adapter



35 mm ø → M10 x 16 mm,
M8 x 20 star knob screw
Order No. **08126**

35 mm ø → M10 x 16 mm
Order No. **08126/II**

Ring Screw



M10- DIN 580
Order No. **73700** (zincd)
Order No. **73700/sw** (black zincd)

Wall Mount



for permanent installation,
incl. tilt angle stop
M10, max. load 15 kg

Order No. **08131/F**
Order No. **08131/F/w** (RAL 9010)

Steel Safety



4 mm x 600 mm, black,
max. load 10 kg (BGI 810-3),
quick connector undetachably

Order No. **01376/4**

Chain fastener



VBS 7 mm
Order No. **01378**

TV Spigot



10 mm internal thread,
28 mm Ø
Order No. **08128**

Quick Trigger Clamp



max. load 100 kg
Order No. **01223/100 kg**

Quick Trigger Clamp - small



M10, max. load 20 kg
Order No. **01223/20 kg**

Bag



for 2 x SRX 810 / TS Mini,
padded, with pocket for accessories
Order No. **01248**