



The PS 1 EX extension module doubles the performance of the PS 1 system in the 80 Hz to 300 Hz range (6 dB more sound pressure level). This provides noticeably more punch and dynamics for larger events and open airs. The two 12-inch drivers can be driven via the same amplifier channel as the low-mid path of the PS 1; all that is needed is a customised preset that takes the additional sensitivity into account.

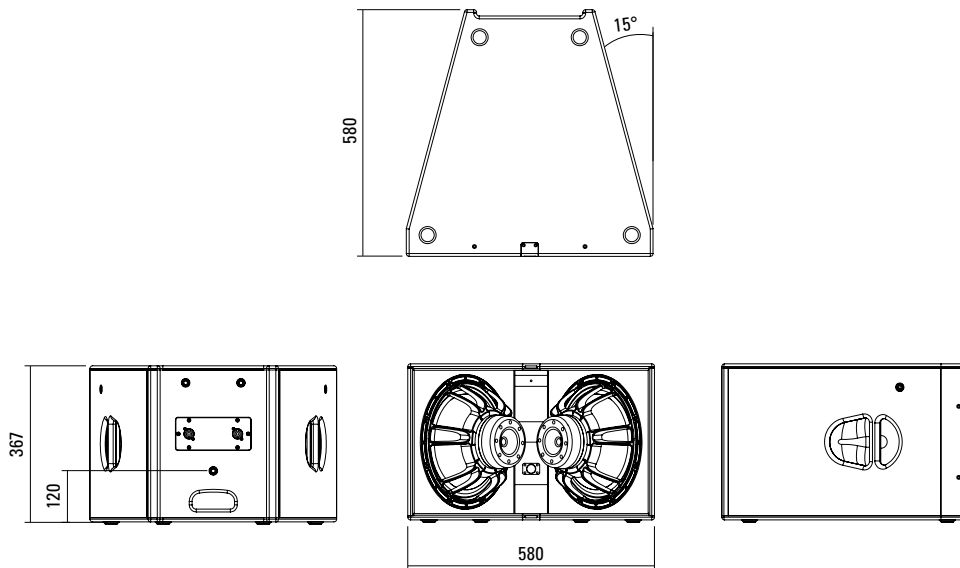
### PRODUCT SPECIFICATIONS

<b>Speaker Components</b>	2 x 12"
<b>Description</b>	Low Mid Extension for PS 1
<b>Power</b> AES / Peak	1500 W / 4500 W
<b>Impedance</b> nominal	4 Ω
<b>SPL</b> 1 W / Peak @ 1 m	101 dB / 138 dB
<b>Usable Range</b>	75 Hz - 500 Hz (-6 dB)
<b>Tuning Frequency</b> Excursion minimum	80 Hz
<b>X - Overpoint</b> acoustical	300 Hz
<b>Connectors</b>	2 x Speakon NL4 in/out Coding: 1 +/- loop thru, 2 +/- LF
<b>Handles</b>	2 x
<b>Rigging / Fittings</b>	5 x M10
<b>Weight</b>	25 kg
<b>Size</b> height x width x depth	36,8 x 58,0 x 58,0 cm
<b>Order No.</b>	<b>00782</b>



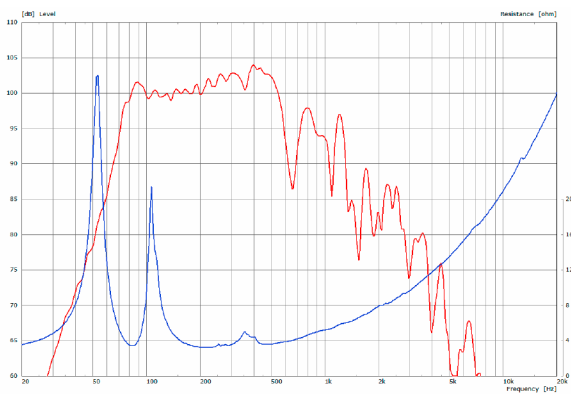
The PS 1 EX is attached under the PS 1 using the separately available connection kit. It can then be flown together with the PS 1 or used stacked on the stacking board. Optionally, the front can be covered with a honeycomb grille in stainless steel.

## DIMENSIONS



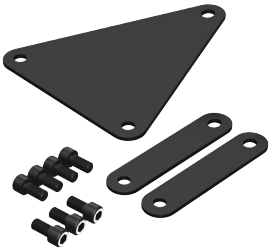
## MEASUREMENTS

### PS 1 EX - Sensitivity @ 1 W + Impedance



## ACCESSORIES PS 1 EX

### Connection Kit



PS 1 -> PS 1 EX,  
(3 x parts: 2 x Front Link,  
1 x Rear Link Plate, 7 x M1)

Order No. **08159/PS1EX**

### Stacking Board



fits: PS Sub,  
incl. accessories (1 x handle screw  
M10 x 20)

Order No. **01395**

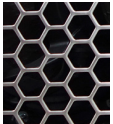
### Handle Screw



adjustable,  
M10 x 20

Order No. **08375/20**

### Partial Grille Option



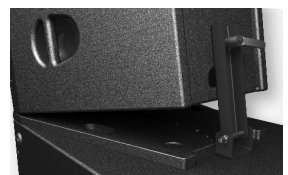
Grille with wide-meshed  
hexagonal perforation for the  
low-frequency section

> brushed stainless steel finish

Order No. **97295/stainless steel**



Partial Grille Option



Stacking Board