



High class full range system with a precise, symmetrical dispersion and long throw. The F 22 is a 2 way active controller driven system which is fitted with 2 x 12" / 1.4" drivers for impressive acoustic output. Especially suited to permanent installations in auditoriums and multi-function venues. The F 22 is also available in the xov passive version.

PRODUCT SPECIFICATIONS

	F 22 a	F 22 xov
Speaker Components	2 x 12" Nd / 1.4" Nd	2 x 12" Nd / 1.4" Nd
Description	Fullrange Sound System	Fullrange Sound System
Power <small>AES / Peak</small>	LF: 800 W / 2400 W HF: 80 W / 240 W	800 W / 2400 W
Impedance <small>nominal</small>	LF: 4 Ω / HF: 8 Ω	4 Ω
SPL <small>1 W / Peak @ 1 m</small>	LF: 103 dB / 135 dB HF: 110 dB / 138 dB	103 dB / 138 dB
Usable Range <small>-6 dB</small>	62 Hz - 18 kHz	62 Hz - 18 kHz
Tuning Frequency <small>excursion minimum</small>	66 Hz	66 Hz
X-Overpoint <small>acoustical</small>	Depends on preset	850 Hz
Coverage <small>horizontal / vertical</small>	60° x 50°	60° x 50°
Max. Splay Angle	---	---
Connectors	2 x Neutrik Speakon NL4MP in/out Coding: 1 +/- HF, 2 +/- LF	2 x Neutrik Speakon NL4MP in/out 1 +/- HiMid, 2 +/- loop thru
Handles	---	---
Rigging / Fittings	12 x M10	12 x M10
Weight	35,0 kg	36,0 kg
Size <small>height x width x depth</small>	94,2 x 41,0 x 41,0 cm	94,2 x 41,0 x 41,0 cm
Order No.	00345/a	00345/xov



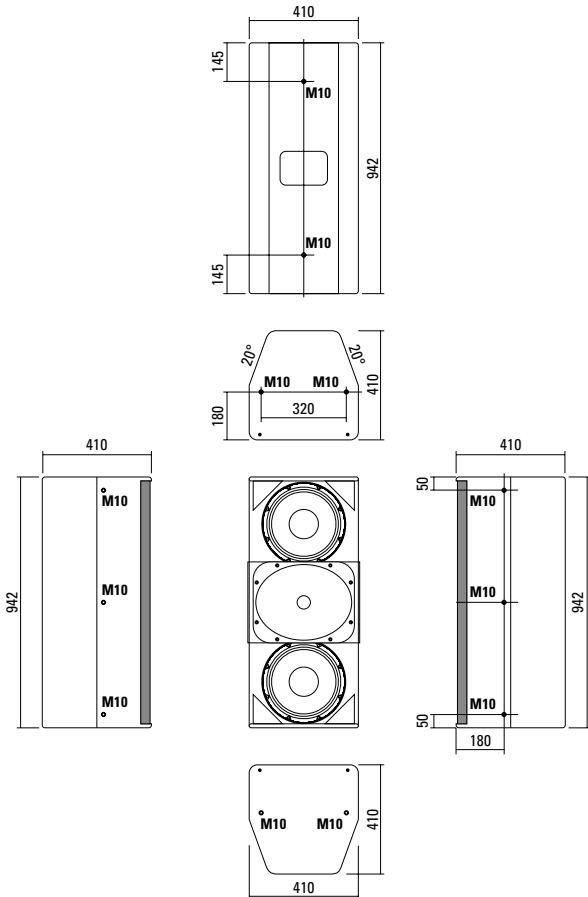
High precision 60° x 50°- Horn.



Water resistant coated diaphragm.

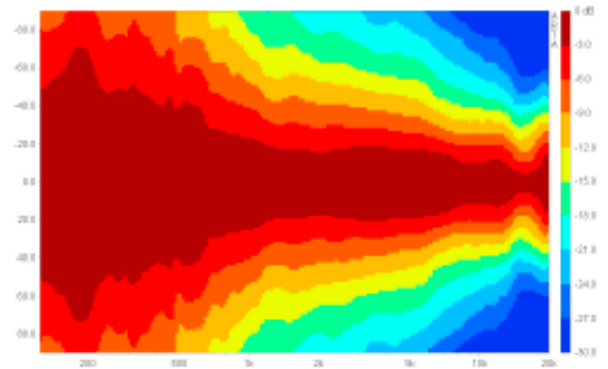


DIMENSIONS

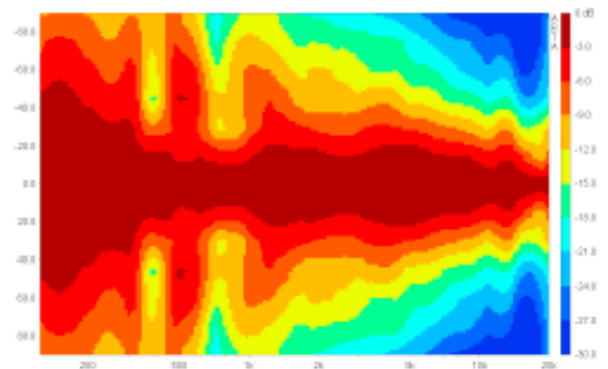


COVERAGE PATTERNS

2D Directivity Plot - horizontal



2D Directivity Plot - vertical



ACCESSORIES F 22



Horn 90° x 50°

for K 24 / F 22,
90° x 50°

Order No. **01598**