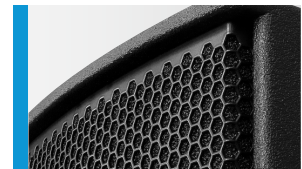




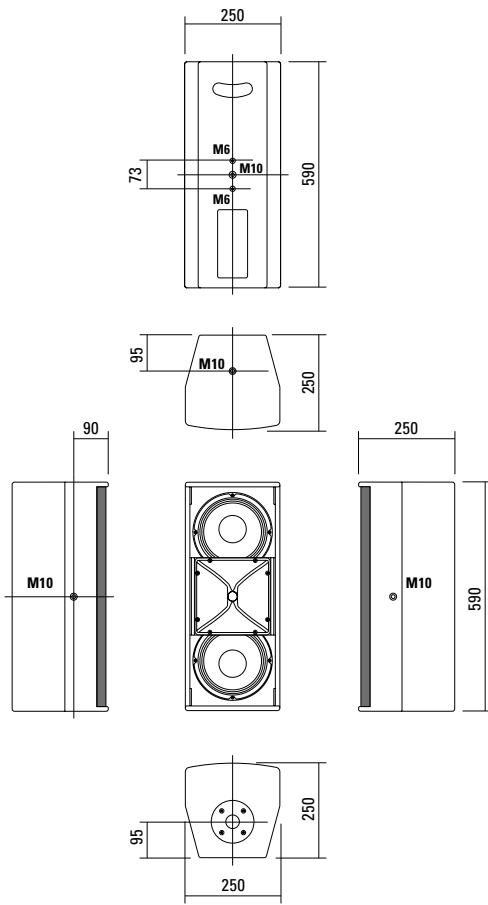
Leistungsstarkes und universelles Mittelhochtonsystem in dipolarer 2 x 8" Nd / 1" Anordnung. Gute Eignung als kräftiges Topteil in Kombination mit Subwoofern und als „Stand Alone“ System zur Sprachübertragung auf kleinen und mittleren Distanzen. Vier M10 Aufnahme­punkte (optional fünf bei Austausch gegen die werkseitig montierte HS-Flanschbuchse) ermöglichen in Kombination mit dem Zubehör eine einfache Installation in Horizontal- und Vertikal­ausrichtung.

PRODUCT SPECIFICATIONS

Speaker Components	2 x 8" Nd / 1"
Description	HiMid Sound System
Power AES / Peak	500 W / 1500 W
Impedance nominal	4 Ω (16 Ω optional)
SPL 1 W / Peak @ 1 m	100 dB / 132 dB
Usable Range	80 Hz - 20 kHz (-6 dB)
Tuning Frequency excursion minimum	90 Hz
X - Overpoint acoustical	1,4 kHz
Coverage horizontal / vertical	90° x 60° rotatable
Connectors	2 x Speakon NL4MP in/out Coding: 1 +/- HiMid, 2 +/- loop through
Handles	1 x
Rigging / Fittings	4 x M10, 2 x M6 35 mm pole mount
Weight	12,5 kg
Size height x width x depth	59,0 x 25,0 x 25,0 cm
Order No.	00240/ II



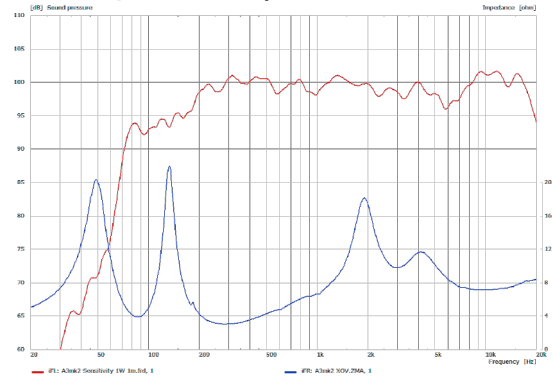
DIMENSIONS



Controller Setups:

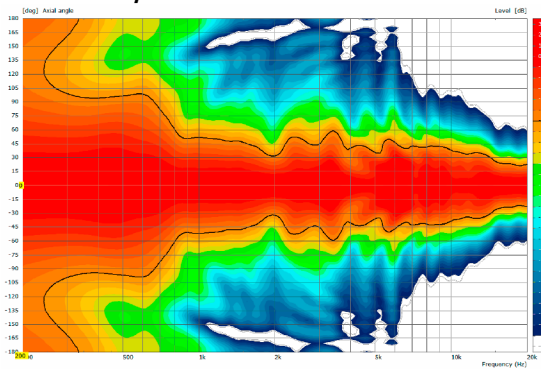
<https://www.seeburg.com/de/downloads>

Sensitivity 1 W @ 1 m + Impedance

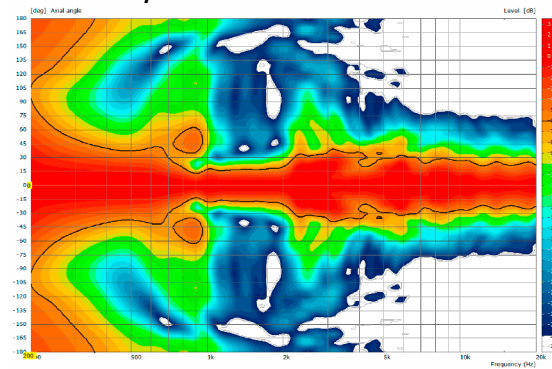


COVERAGE PATTERNS

2D Directivity Plot - horizontal



2D Directivity Plot - vertical



Flying Bracket



for A 3,
horizontal alignment,
(incl. 2 x socket head screws
M10 x 20 mm, 2 x rubber washers,
1 x plate)
Order No. **01215/H/set/w** (RAL 9010)
Order No. **01215/H/set**

Flying Bracket



for A 3,
(incl. black version: 2 x handle screws
M10 x 20 mm, 2 x rubber washers,
white version: 2 x socket head screws
M10 x 20 mm, 2 x rubber washers)
Order No. **01215/set/w** (RAL 9010)
Order No. **01215/set**

Handle Screw



for flying brackets, adjustable
Order No. **08375/20** (M10 x 20)

Rubber Washer



for flying brackets,
5 mm x 40 mm Ø
Order No. **01206**

Plate



for A 2 / A 3 flying brackets,
horizontal alignment,
replacement for pole mount flange,
110 mm Ø flange with M10 nut
Order No. **08119/M10/w** (RAL 9010)
Order No. **08119/M10**

Knurled Head Nut



reduction screw for fastening
M10 Pole Mount Adapter (08126)
Order No. **73755**

Pole Mount Adapter



35 mm Ø → M10 x 16 mm,
star knob screw M8 x 20 mm
Order No. **08126**
35 mm Ø → M10 x 16 mm
Order No. **08126/II**

Flange



with ball and socket joint,
with additional locking screw,
M10 x 15 mm, max. load 15 kg
Order No. **08125**

Quick Trigger Clamp



max. load 100 kg
Order No. **01223/100 kg**

Quick Trigger Clamp - small



M10, max. load 20 kg
Order No. **01223/20 kg**

Truss Clamp



incl. M10 mini TV spigot,
max. load 15 kg
Order No. **01221**

Steel Safety



6 mm x 600 mm, black,
max. load 22 kg (BGI 810-3),
quick connector undetachably
Order No. **01376/6**

Ring Screw



M10– DIN 580
Order No. **73700** (zincd)
Order No. **73700/sw** (black zincd)

TV Spigot



M10 internal thread,
28 mm Ø
Order No. **08128**



ACCESSORIES A 3

Wall Mount



bar: 269 mm, max. load 40 kg,
(incl. socket head screw M10 x 70 mm,
M10 hex lock nut and flat washer)

Order No. **08130/F/269/w** (RAL 9010)
Order No. **08130/F/269**

Wall Mount



2 x M6 fixing holes (d=73 mm),
1 x M10 fixing hole (center),
max. load 25 kg

Order No. **03034/w** (RAL 9010)
Order No. **03034**

Wall Mount



for L 8 / L 16 / A 2 / A 3
using fixing points d= 73 mm

Order No. **08132/w** (RAL 9010)
Order No. **08132**

Wall Mount



ball and socket joint flange (08125)
+ 08125/plate

Order No. **08125/set**

Wall Mount Spacer



for Wall Mount (03034), socket head
screw M10 x 55 mm, 65 (height)
x 100 (width) x 40 mm (depth)

Order No. **03034/spc**
Order No. **03034/spc/w** (RAL 9010)

MultiRigg™



for flown and ground stacked
applications, (incl. 2 x knurled screws
M10 x 20 mm, 1 x handle screw
M8 x 55 mm), max. load 50 kg

Order No. **01360**

Adapter



for MultiRigg™ / Light / Basic
for mounting on M10, (incl. 1 x screw
M10 x 25 mm), max. load 20 kg

Order No. **01358**

Cover



for A 3, padded
Order No. **01258**

Rain Cover



for A 3
Order No. **01258/outdoor**

Flight Case Trunk



for 2 pcs. A 3, with accessory
compartment, partition walls, interior
lined with felt, standard, 7 mm birch
multiplex, PVC coated black,
2 x recessed sprung handles,
2 x butterfly latches medium,
4 x 100 mm blue wheels (2 pcs. with
brake), 22 kg

Size: 56 x 41 x 77 cm (W x D x H)

Order No. **16066**

Speaker Stand



incl. wind up,
height 138,5 to 218 cm,
max. load 50 kg,

Order No. **03011**

height 137,5 to 218,5 cm,
max. load 50 kg,

Order No. **03010**



Adapter > MultiRigg™ > M10



Spacer > Wall Mount