



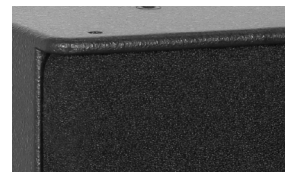
Die SRX 810 ist ein Coaxial-System für universelle Einsätze wie Delay- und Surround-Anwendungen. Ihre homogene und symmetrische Abstrahlung verdankt sie einer koaxial angeordneten 8"/1" Treiberkombination in Verbindung einer passiven Frequenzweiche mit Pegel- und Phasenkompensation.

PRODUCT SPECIFICATIONS

| | |
|---|--|
| Speaker Components | 8" / 1" Coaxial |
| Description | Coaxial Sound System |
| Power AES / Peak | 200 W / 600 W |
| Impedance nominal | 8 Ω |
| SPL 1 W / Peak @ 1 m | 96 dB / 122 dB |
| Usable Range | 100 Hz - 18 kHz |
| Tuning Frequency excursion minimum | 85 Hz |
| X - Overpoint acoustical | 2,0 kHz |
| Connectors | 2 x Speakon 4-pole Coding: 1+/- HiMid, 2+/- Sub |
| Coverage horizontal / vertical | 90° x 90° |
| Rigging flying points | 6 x M10 2 x M8 |
| Weight | 9,0 kg |
| Size height x width x depth | 37,9 x 25,0 x 22,8 cm |
| Order No. | 00103 |

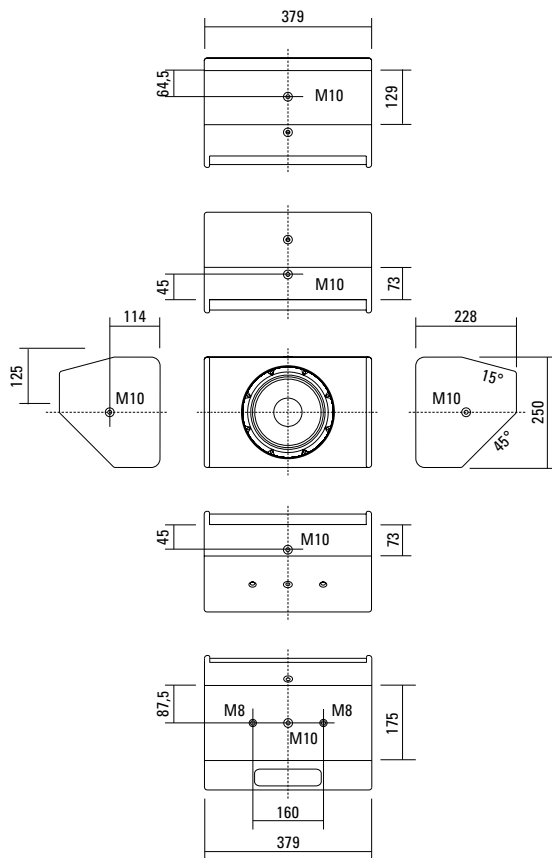


Gute akustische Eigenschaften durch die 8"/1" coaxial Lautsprecherkombination.



Optimaler Staubschutz durch feinporigen Akustikschaum und stabile Gitterwanne.

DIMENSIONS

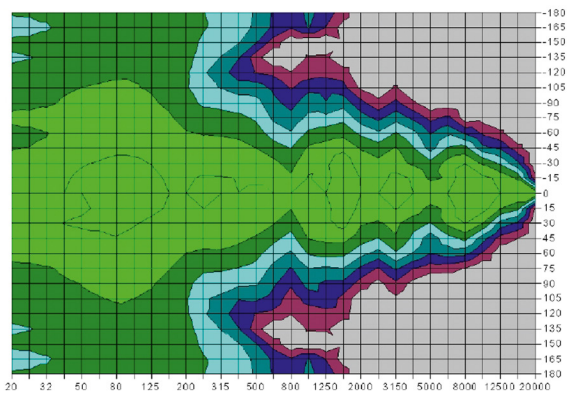


Controller Setups:

<https://www.seeburg.com/de/downloads>

COVERAGE PATTERNS

2D Directivity Plot - vertical and horizontal



ACCESSORIES SRX 810

Flying Bracket



for SRX 810 / TSMini / TSM 8
incl. screws
(per unit: 2 pcs. M10 x 20 handle
screws and rubber washers)

Order No. **01213/set**

Flying Bracket



for SRX 810 / TSM 8
horizontal alignment,
incl. screws
(per unit: 2 pcs. M10 x 20 socket head
screws, spring- and rubber washers)

Order No. **01213/H/set**

Handle Screw



for flying brackets,
adjustable

Order No. **08375/20** (M10 x 20)

Rubber Washer



for flying brackets,
5 mm x 40 mm Ø

Order No. **01206**

Knurled Head Nut



reduction screw for fastening
M10 Pole Mount Adapter (08126)

Order No. **73755**

Pole Mount Adapter



35 mm Ø → M10 x 16 mm,
M8 x 20 star knob screw

Order No. **08126**

35 mm Ø → M10 x 16 mm
Order No. **08126/II**

Ring Screw



M10– DIN 580

Order No. **73700** (zincd)

Order No. **73700/sw** (black zincd)

Wall Mount



for permanent installation,
incl. tilt angle stop
M10, max. load 15 kg

Order No. **08131/F**

Order No. **08131/F/w** (RAL 9010)

Steel Safety



4 mm x 600 mm, black,
max. load 10 kg (BGI 810-3),
quick connector undetachably

Order No. **01376/4**

Chain fastener



VBS 7 mm

Order No. **01378**

TV Spigot



10 mm internal thread,
28 mm Ø

Order No. **08128**

Quick Trigger Clamp



max. load 100 kg

Order No. **01223/100 kg**

Quick Trigger Clamp - small



M10, max. load 20 kg

Order No. **01223/20 kg**

Bag



for 2 x SRX 810 / TS Mini,
padded, with pocket for accessories

Order No. **01248**