



**Multifunktionales 15" / 1" System mit sehr breitbandigem Frequenzumfang und ausgewogener Klangcharakteristik.** Ähnliche Eigenschaften wie die A 6, jedoch mit tieferreichender Basswiedergabe, machen die A 8 zu einem universellem Fullrangewerkzeug. Diverse M8 und M10 Aufnahmepunkte sorgen für die einfache Montage des Zubehörs. Auch als Festinstallationsvariante lieferbar.

## PRODUCT SPECIFICATIONS

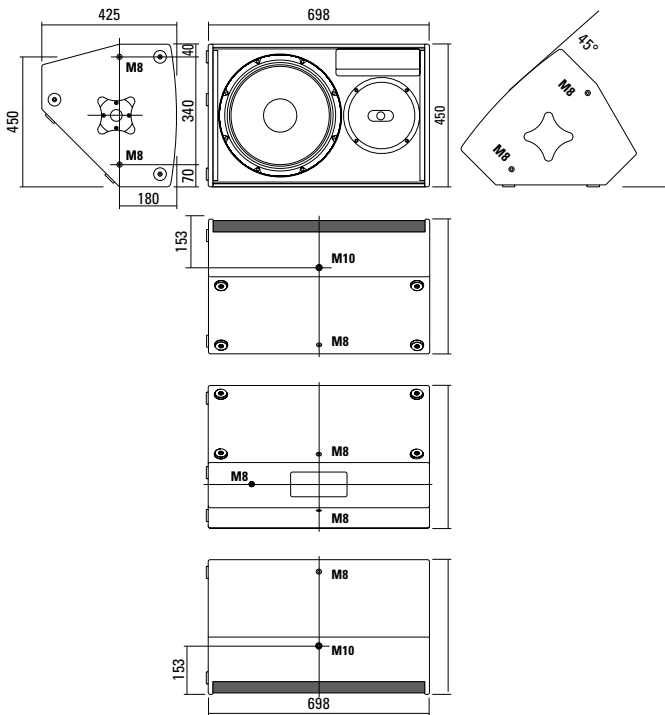
<b>Speaker Components</b>	15" Nd / 1"
<b>Description</b>	Multi Purpose Sound System
<b>Power</b> AES / Peak	500 W / 1500 W
<b>Impedance</b> nominal	8 Ω
<b>SPL</b> 1 W / Peak @ 1 m	99 dB / 131 dB
<b>Usable Range</b>	50 Hz - 20 kHz (-10 dB)
<b>Tuning Frequency</b> Excursion minimum	50 Hz
<b>X - Overpoint</b> acoustical	1,3 kHz
<b>Coverage</b> horizontal / vertical	90° x 60° - rotatable
<b>Connectors</b>	2 x Speakon NL4MP in/out Coding: 1 +/- HiMid, 2 +/- loop thru
<b>Handles</b>	2 x
<b>Rigging / Fittings</b>	2 x M10 / 7 x M8 35 mm pole mount
<b>Weight</b>	23,5 kg
<b>Size</b> height x width x depth	69,8 x 45,0 x 42,5 cm
<b>Order No.</b>	<b>00270/II</b> <b>00270/AF/II</b> (installation version)



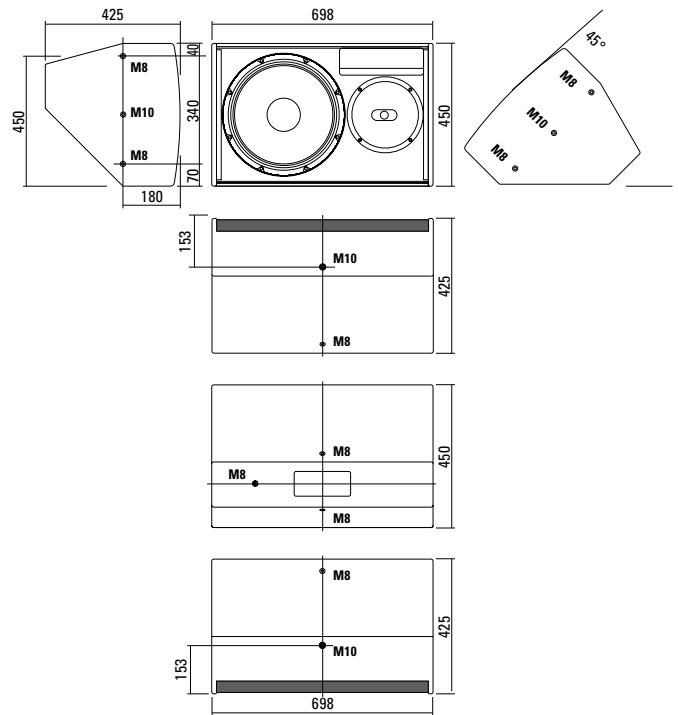
Die 35 mm Flanschhülse wurde in den Griff integriert.



## DIMENSIONS



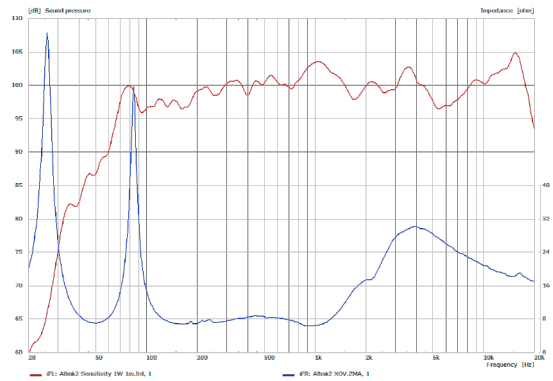
## Installation Version AF 8



## Controller Setups:

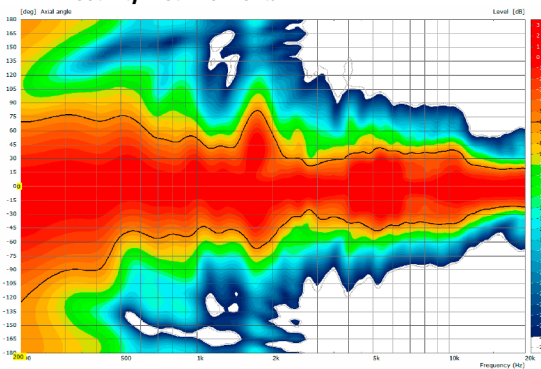
<https://www.seeburg.com/de/downloads>

## Sensitivity 1 W @ 1 m + Impedance

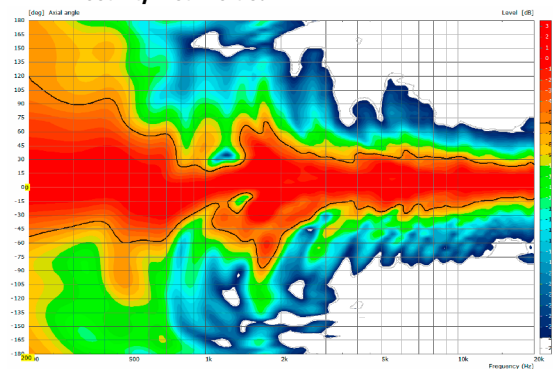


## COVERAGE PATTERNS

### 2D Directivity Plot - horizontal



### 2D Directivity Plot - vertical

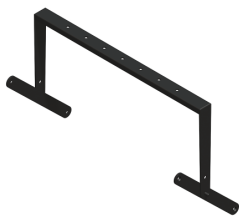


**Flying Bracket**



for A 8 /TSM 15 / F 8,  
incl. (black version: 2 x M10 x 20  
adjustable handle screws  
white version: 2 x M10 x 20  
socket head screws)  
Order No. **01217/set/w** (RAL 9010)  
Order No. **01217/set**

**Flying Bracket**



for A 8  
horizontal alignment,  
incl. accessories  
Order No. **01217/H/set/w** (RAL 9010)  
Order No. **01217/H/set**

**Handle Screw**



for flying brackets,  
adjustable  
M10 x 20  
Order No. **08375/20**

**Rubber Washer**



for flying brackets,  
5 mm x 40 mm Ø  
Order No. **01206**

**Knurled Head Nut**



reduction screw for fastening  
M10 Pole Mount Adapter (08126)  
Order No. **73755**

**Pole Mount Adapter**



35 mm ø → M10 x 16 mm,  
M8 x 20 star knob screw  
Order No. **08126**  
35 mm ø → M10 x 16 mm  
Order No. **08126/II**

**Steel Safety**



6 mm x 600 mm,  
max. load 22 kg (BGI 810-3),  
quick connector undetachably  
Order No. **01376/6**

**Quick Trigger Clamp**



max. load 100 kg  
Order No. **01223/100 kg**

**Ring Screw**



M10– DIN 580  
Order No. **73700** (zincd)  
Order No. **73700/sw** (black zincd)

**TV Spigot**



10 mm internal thread,  
28 mm Ø  
Order No. **08128**

**Chain Fastener**



VBS 7 mm  
Order No. **01378**

## ACCESSORIES A 8

### Wall Mount



bar: 269 mm, max. load 40 kg,  
incl. (M10 x 70 mm socket head screw,  
M10 hex lock nut and flat washer)

Order No. **08130/F/269/w** (RAL 9010)  
Order No. **08130/F/269**

### Wall Mount



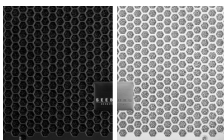
with tilt unit, max. load 40 kg  
Order No. **08130**

### Speaker Stand



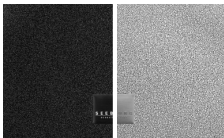
K&M, incl. wind up,  
height 138,5 to 218 cm,  
max. load 50 kg,  
Order No. **03011**

### Honeycomb Grilles



for A 8 front replacement.

Foam behind grille  
Order No. **97012/hex/compl**  
Order No. **97012/hex/compl/w**  
(RAL 9010)



Foam in front of grille  
Order No. **97012/compl**  
Order No. **97012/compl/w**  
(RAL 9010)

### Cover



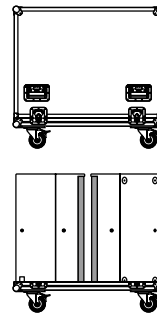
for A 8 / TSM 15,  
padded  
Order No. **01240**

### Rain Cover



for A 8 / TSM 15  
Order No. **01240/outdoor**

### Flight Case



for 2 pcs. TSM 15 / A 8 / A 8 Sub,  
heavy duty, 9,0 mm birch multiplex,  
PVC coated, 6 x recessed sprung hand-  
les, 4 x butterfly catches, 4 x 100 mm  
blue wheels, 2 pcs. with brake, interior  
lined with felt.

Order No. **16012/pro**

