

# Bass Extension **K Sub 1801**



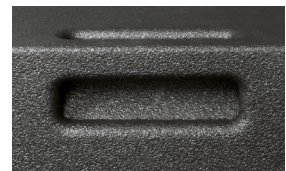
The K Sub 1801 is a compact high-power subwoofer for universal use in the frequency range of 33 Hz to 180 Hz. The classic bass reflex design with streamlined ports leads to an exceptional precise and deep bass response with medium throw. Two ergonomically designed handles ensure perfect handling. For transportation, a wheelboard can be mounted to the front side.

## PRODUCT SPECIFICATIONS

<b>Speaker Components</b>	18" (4" VC)
<b>Description</b>	Passive Bass Extension
<b>Power</b> AES / Peak	1500 W / 4500 W
<b>Impedance</b> nominal	8 Ω
<b>SPL</b> 1 W / Peak @ 1 m	101 dB / 137 dB
<b>Usable Range</b> - 6 dB	33 Hz - 180 Hz
<b>Tuning Frequency</b> excursion minimum	38 Hz
<b>Connectors</b>	3 x Speakon NL4 in/out Coding (2x): 1+/- loop thru, 2+/- Sub Coding (1x): 1+/- Sub, 2+/- loop thru
<b>Handles</b>	4 x
<b>Rigging / Fittings</b>	M20 on top and side Wheel board fittings
<b>Weight</b>	42,5 kg (+7,0 kg wheel board)
<b>Size</b> height x width x depth	69,8 x 51,2 x 56,0 cm
<b>Order No.</b>	<b>01060</b>



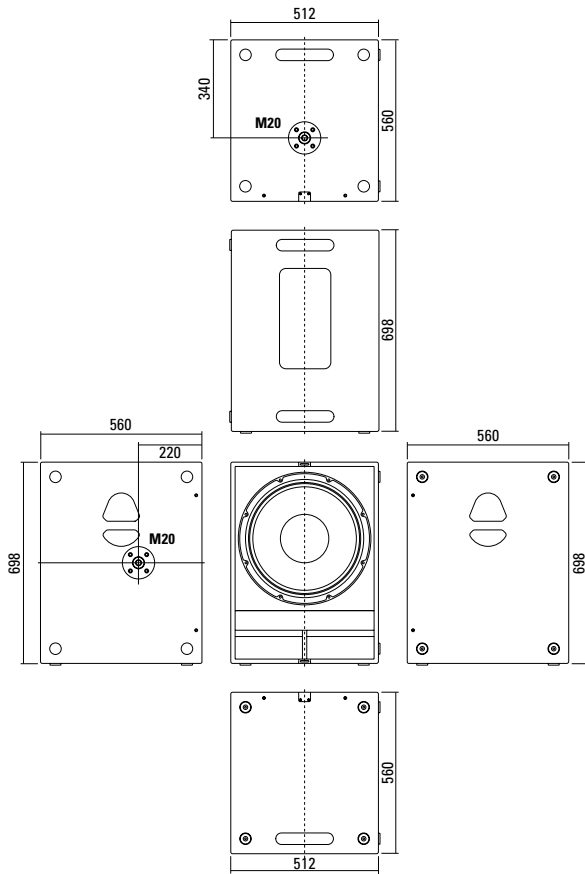
Robust front grille.



Four convenient bar handles at the corner.

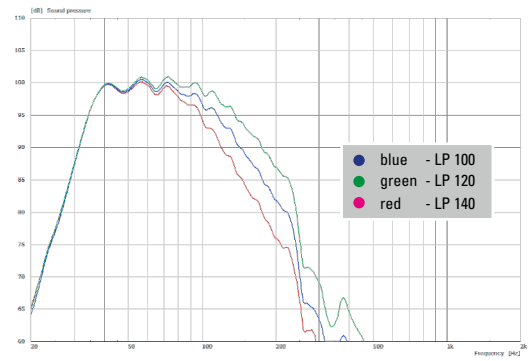


## DIMENSIONS

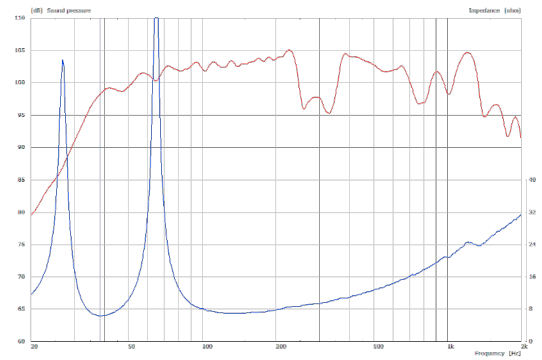


## MEASUREMENT

### Frequency Response with Presets



### Sensitivity 1 W @ 1 m + Impedance



## APPLICATIONS

### Controller Setups:



<https://www.seeburg.com/en/downloads>



2 x K Sub 1801 / K 24



K Sub 1801 / GL 24



Cardioid set-up

## ACCESSORIES K Sub 1801

### Speaker Pole



250 mm, ø 35 mm, M20,  
with ring lock

Order No. **03020**

### Speaker Pole



M20, with wind up

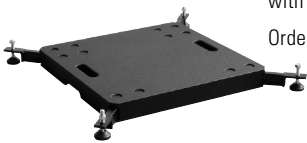
Order No. **03023**



M20, adjustable

Order No. **03022**

### Ground Stacking Board



for K Sub 1801 / G Sub  
with extendable legs

Order No. **01394**

### Wheel Board



for G Sub / K Sub 1801,  
stackable, 7 kg

Order No. **01260**

### Cover



for K Sub 1801 with wheel board

Order No. **01257**

