



Basserweiterung für das Galeo S Line Array. Integrierte Flugmechanik für geflogene Arrayanwendungen und Groundstackbetrieb. Das klassische Bassreflexkonzept des Galeo S Sub bewirkt in Kombination mit den besonders strömungsgünstig ausgeführten Bassreflexkanälen und dem Hochleistungs - 15" Neodym - Treiber eine besonders impulstreue und tiefreichende Basswiedergabe.

PRODUCT SPECIFICATIONS

Speaker Components	15" Nd
Description	Passive Bass Extension
Power AES / Peak	1000 W / 3000 W
Impedance nominal	8 Ω
SPL 1 W / Peak @ 1 m	100 dB / 135 dB
Usable Range	35 Hz - 220 Hz (-6 dB)
Tuning Frequency excursion minimum	42 Hz
Connectors	2 x Speakon NL4MP in/out Coding: 1+/- loop thru, 2+/- Sub
Handles	4 x
Rigging / Fittings	M20 on top and side Wheelboard fittings Integrated flying hardware
Weight	33 kg (+ 7 kg wheelboard)
Size height x width x depth	56,0 x 45,0 x 60,0 cm
Order No.	00460



Ergonomischer Griff mit integriertem M20 Flansch.

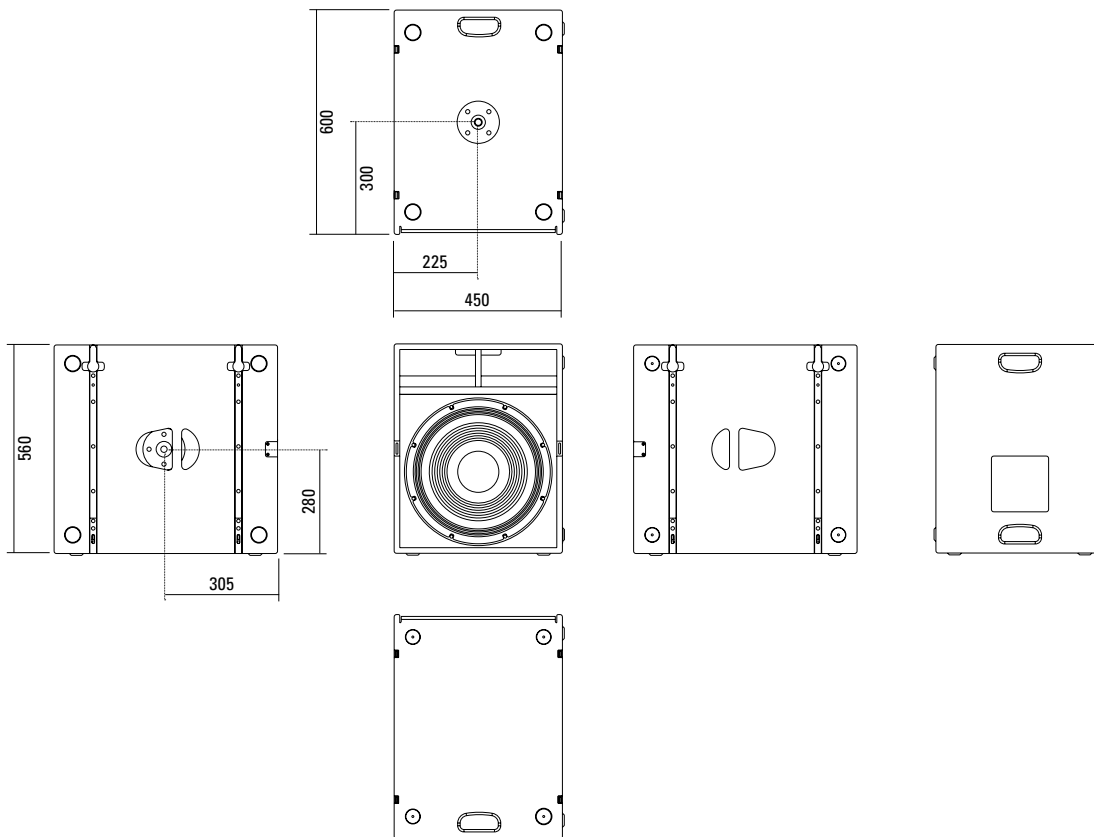


Fittings für Rollenwagen.



Integrierte Flugmechanik.

DIMENSIONS

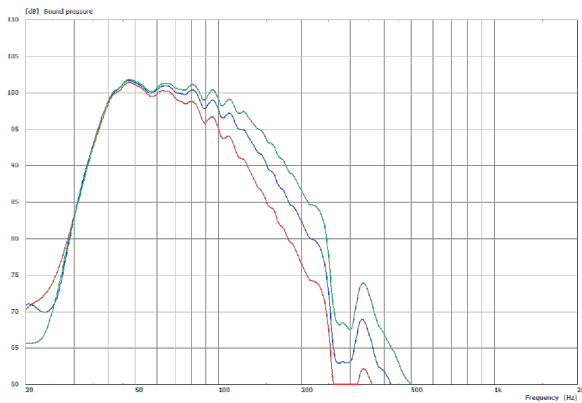


Controller Setups finden Sie unter:

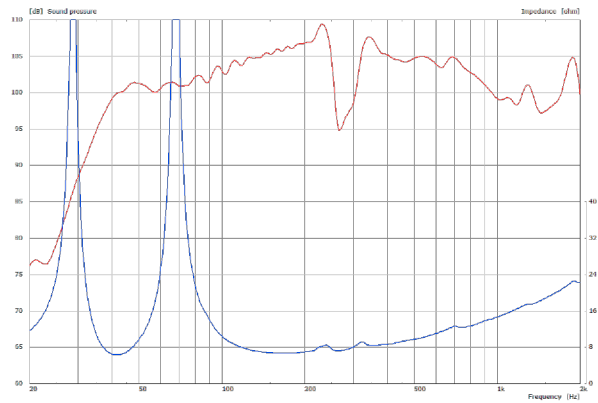
<http://www.seeburg.net/downloads.php>

MEASUREMENTS

Frequency Response with Presets



Sensitivity 1 W @ 1 m + Impedance



ACCESSORIES Galeo S Sub

Flying Frame



for Galeo S / Galeo S Sub,
incl. accessories
(3 pcs. 6 x 20 mm ball lock pins,
load adapter and 100 mm distance
bar) - also for ground stack.
Order No. **01310**

Ball Lock Pin



for Galeo S / Galeo S Sub,
flying frame and flying cradle
Order No. **01380/6x20** (6 x 20 mm)

Load Adapter



for Galeo S / Galeo S Sub,
flying frame and flying cradle
Order No. **01311**

Clamp Adapter



for Galeo S / Galeo S Sub,
flying frame and flying cradle-> truss
Order No. **01313**

Speaker Pole



250 mm, ø 35 mm, M20
with ring lock
Order No. **03020**

Speaker Pole



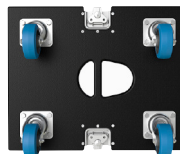
M20, with crank
Order No. **03023**

Cover



for Galeo S Sub,
by using wheelboard
Order No. **01234/S**

Wheelboard



for Galeo S Sub,
also usable as Dolly,
stackable, 7,0 kg
Order No. **01269**

Dolly



for Galeo S Sub, up to 3 units,
horizontal alignment
Order No. **01269/D3**

Dolly



for Galeo S Sub, up to 6 units,
horizontal alignment
Order No. **01269/D6**

