



**Multifunktionales 12"/1" System mit besonders ausgewogener Klangwiedergabe. Gute Eignung als hochwertiger Fullrange/HiMid Lautsprecher und als universeller Monitor. Das drehbare 1" DCP (= Dual Pattern Circular Horn) sorgt für eine konstante 90° x 60° Abstrahlung über einen breiten Frequenzbereich. Diverse M8 und M10 Aufnahmepunkte sorgen für die einfache Montage des Zubehörs. Auch als Festinstallationsvariante lieferbar.**

## PRODUCT SPECIFICATIONS

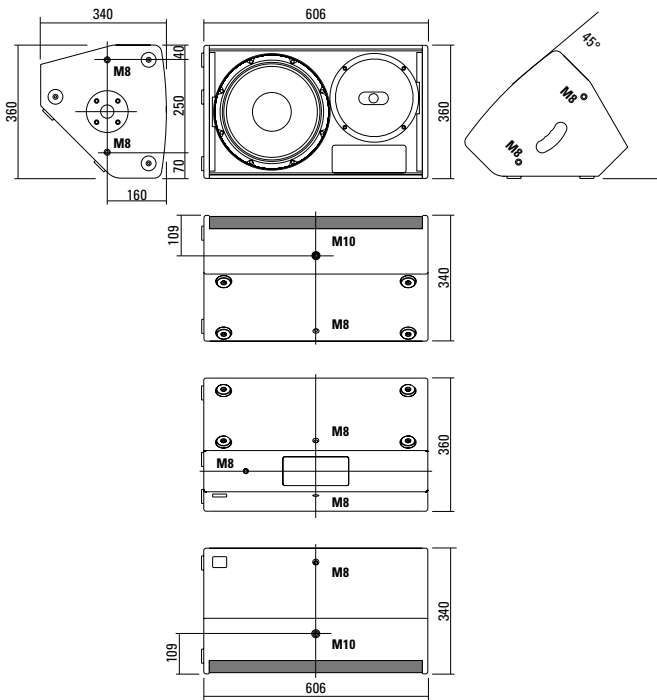
<b>Speaker Components</b>	12" Nd / 1"
<b>Description</b>	Multi Purpose Sound System
<b>Power</b> AES / Peak	500 W / 1500 W
<b>Impedance</b> nominal	8 Ω
<b>SPL</b> 1 W / Peak @ 1 m	99 dB / 131 dB
<b>Usable Range</b>	60 Hz - 20 kHz (-6 dB)
<b>Tuning Frequency</b> excursion minimum	60 Hz
<b>X - Overpoint</b> acoustical	1,3 kHz
<b>Coverage</b> horizontal / vertical	90° x 60°- rotatable
<b>Connectors</b>	2 x Speakon NL4MP in/out Coding: 1 +/- HiMid, 2 +/- loop thru
<b>Handles</b>	1 x
<b>Rigging / Fittings</b>	2 x M10 / 7 x M8 35 mm pole mount
<b>Weight</b>	17 kg
<b>Size</b> height x width x depth	60,6 x 36,0 x 34,0 cm
<b>Order No.</b>	<b>00260/II</b> <b>00260/AF/II</b> (installation version)



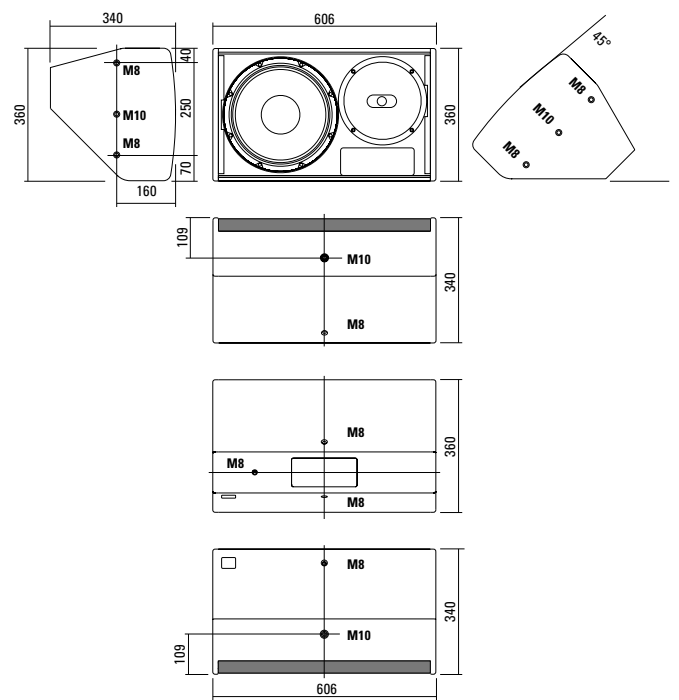
Neodym 12" Lautsprecher mit wasserabweisender Membranbeschichtung.



## DIMENSIONS



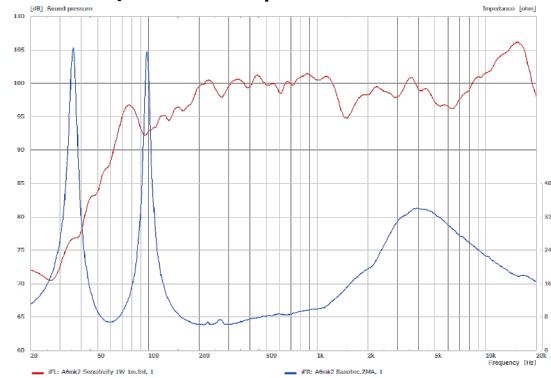
## Installation Version AF 6



### Controller Setups:

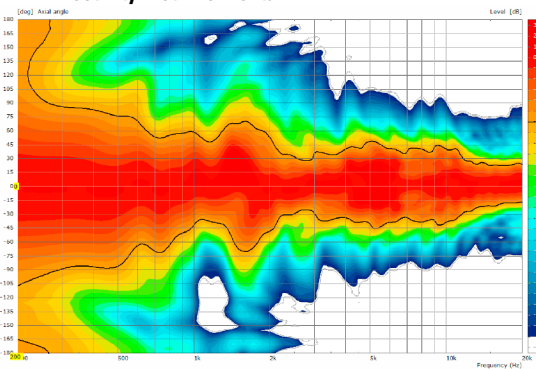
<https://www.seeburg.com/de/downloads>

### Sensitivity 1 W @ 1 m + Impedance

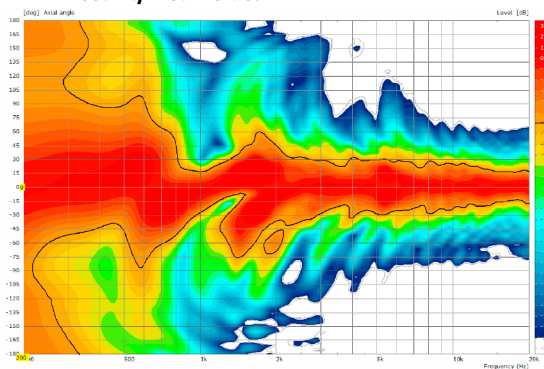


## COVERAGE PATTERNS

### 2D Directivity Plot - horizontal



### 2D Directivity Plot - vertical





**Flying Bracket**

for A 6 / A 6 dp / TSM 12  
incl. (black version: 2 x M10 x 20  
handle screws, white version:  
2 x M10 x 20 socket head screws)  
Order No. **01216/set/w** (RAL 9010)  
Order No. **01216/set**



**Flying Bracket**

for A 6 / A 6 dp / TSM 12  
horizontal alignment,  
incl. accessories  
Order No. **01216/H/set/w** (RAL 9010)  
Order No. **01216/H/set**



**Flying Bracket**

for AF 6 horizontal alignment,  
incl. (2 x M10 x 20 socket head  
screws, 2 x rubber washers)  
Order No. **01216/H/AF/w** (RAL 9010)  
Order No. **01216/H/AF**



**Handle Screw**

for flying brackets, adjustable  
Order No. **08375/20** (M10 x 20)



**Rubber Washer**

for flying brackets,  
5 mm x 40 mm Ø  
Order No. **01206**



**Knurled Head Nut**

reduction screw for fastening  
M10 Pole Mount Adapter (08126)  
Order No. **73755**



**Pole Mount Adapter**

35 mm Ø → M10 x 16 mm,  
M8 x 20 star knob screw  
Order No. **08126**  
35 mm Ø → M10 x 16 mm  
Order No. **08126/II**



**Steel Safety**

6 mm x 600 mm, black,  
max. load 22 kg (BGI 810-3),  
quick connector undetachably  
Order No. **01376/6**



**Quick Trigger Clamp**

max. load 100 kg  
Order No. **01223/100 kg**



**Quick Trigger Clamp - small**

M10, max. load 20 kg  
Order No. **01223/20 kg**



**Ring Screw**

M10– DIN 580  
Order No. **73700** (zincd)  
Order No. **73700/sw** (black zincd)



**TV Spigot**

10 mm internal thread,  
28 mm Ø  
Order No. **08128**

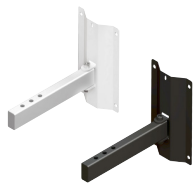


**Chain Fastener**

VBS 7 mm  
Order No. **01378**

## ACCESSORIES A 6

### Wall Mount



bar: 269 mm, max. load 40 kg,  
incl. (M10 x 70 mm socket head screw,  
M10 hex lock nut and flat washer)

Order No. **08130/F/269/w** (RAL 9010)  
Order No. **08130/F/269**

### Wall Mount



with tilt unit, max. load 40 kg  
Order No. **08130**

### Speaker Stand



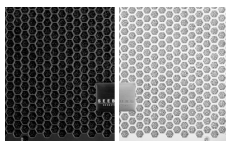
incl. wind up,  
height 138,5 to 218 cm,  
max. load 50 kg,

Order No. **03011**

height 137,5 to 218,5 cm,  
max. load 50 kg,

Order No. **03010**

### Honeycomb Grilles

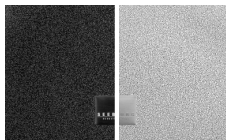


for A 6 front replacement.

Foam behind grille

Order No. **97010/hex/compl**

Order No. **97010/hex/compl/w**  
(RAL 9010)



Foam in front of grille

Order No. **97010/compl.**

Order No. **97010/compl/w**  
(RAL 9010)

### Cover



for A 6 / A 6 dp / TSM 12,  
padded

Order No. **01244**

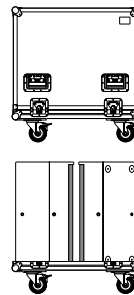
### Rain Cover



for A 6 / A 6 dp / TSM 12

Order No. **01244/outdoor**

### Flight Case



for 2 pcs. TSM 12 / A 6  
heavy duty, 9 mm birch multiplex, PVC  
coated, 6 x recessed sprung handles,  
4 x butterfly catches, 4 x 100 mm blue  
wheels, 2 pcs. with brake, partition  
walls, interior lined with felt.

Order No. **16010 P**

